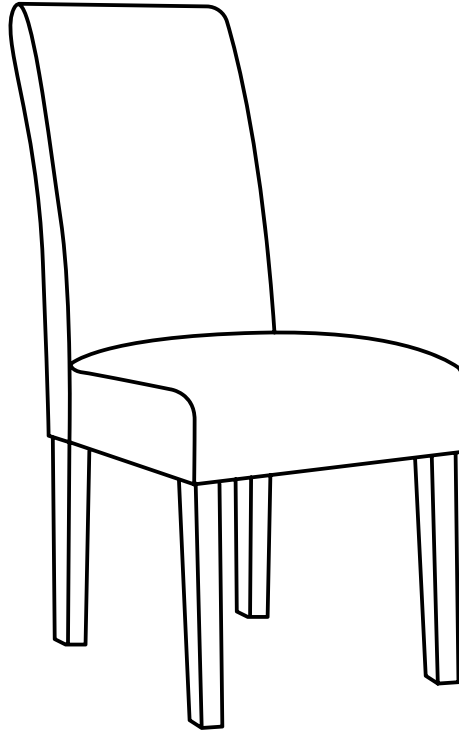




— Thank you for buying the Regent Dining Chair



Before you start:

Unpack carefully

- Avoid using sharp objects that might cause damage
- Be careful not to dispose of the enclosed assembly kit
- Please dispose of the packaging responsibly

Before and during assembly

- Make sure all items are accounted for and clearly laid out before starting
- Make sure you have enough space to assemble the chair safely
- Place the parts on a soft and flat surface to avoid damage
- Put all bolts in before fully tightening
- Do not use power tools or overtighten any fittings as this can cause damage
- Carefully trim off any loose threads on upholstered chairs

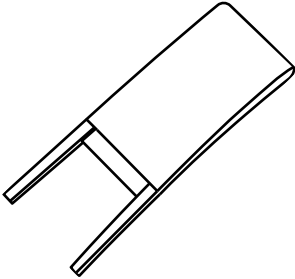
Caution

- This chair is designed to seat one person only
- Do not stand or jump on this chair
- Do not rock on this chair, or lean back with only two legs on the ground
- Do not use this chair unless all the bolts and screws are firmly tightened
- Keep small parts, plastic bags and film away from children



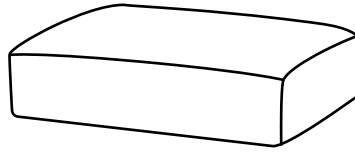
— In the box

A x 1



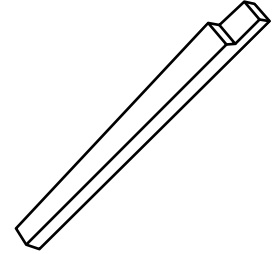
Backrest

B x 1



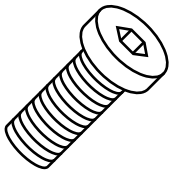
Seat

C x 2



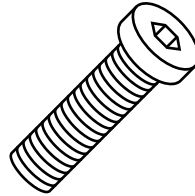
Front Leg

D x 1



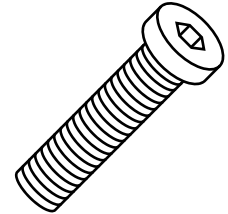
Bolt M8x55mm

E x 4



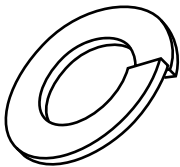
Bolt M8x70mm

F x 4



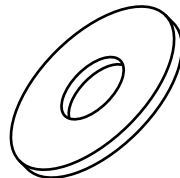
Bolt M8x80mm

G x 9



Spring Washer 13mm

H x 9



Flat Washer 22mm

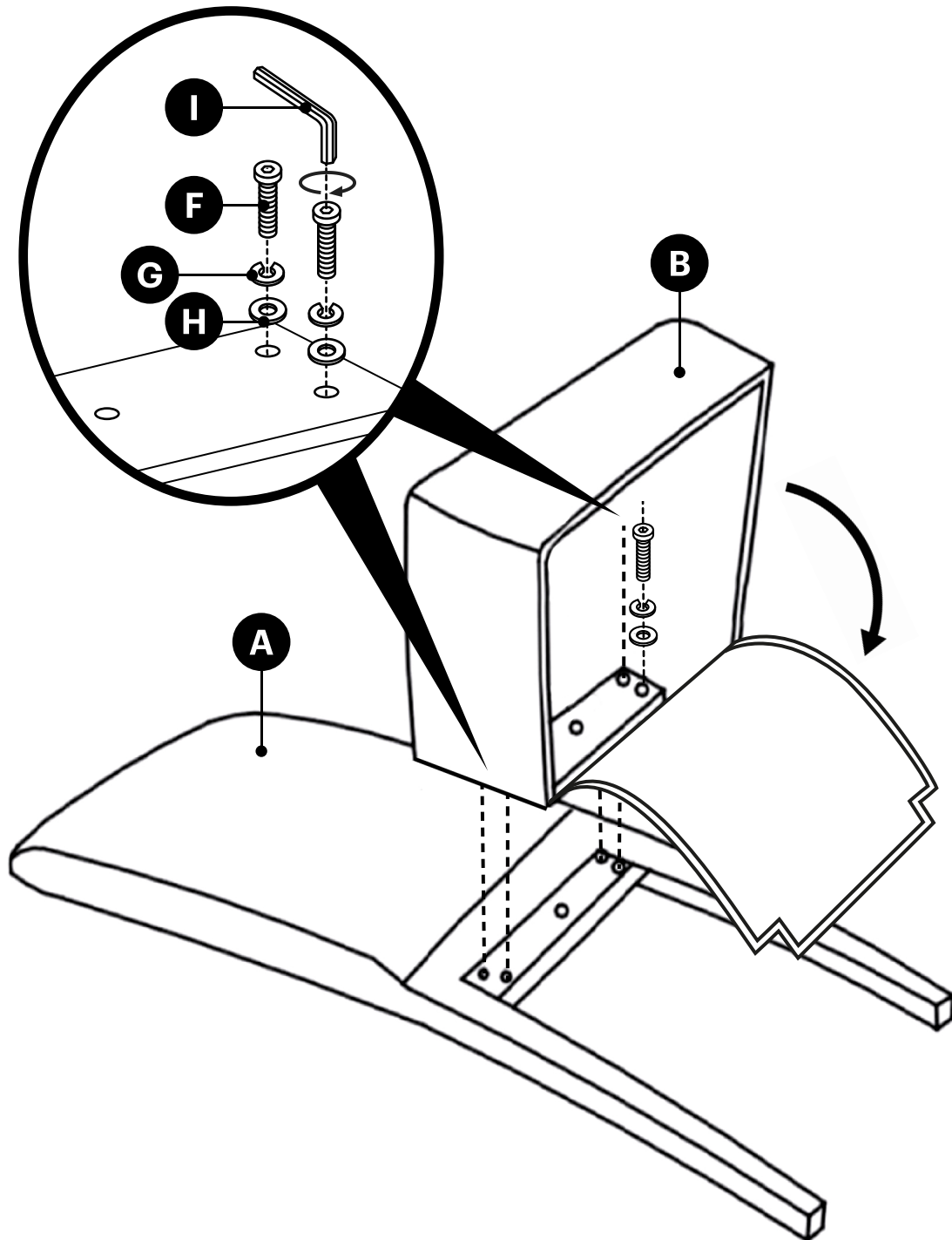
I x 1



Allen Key M8

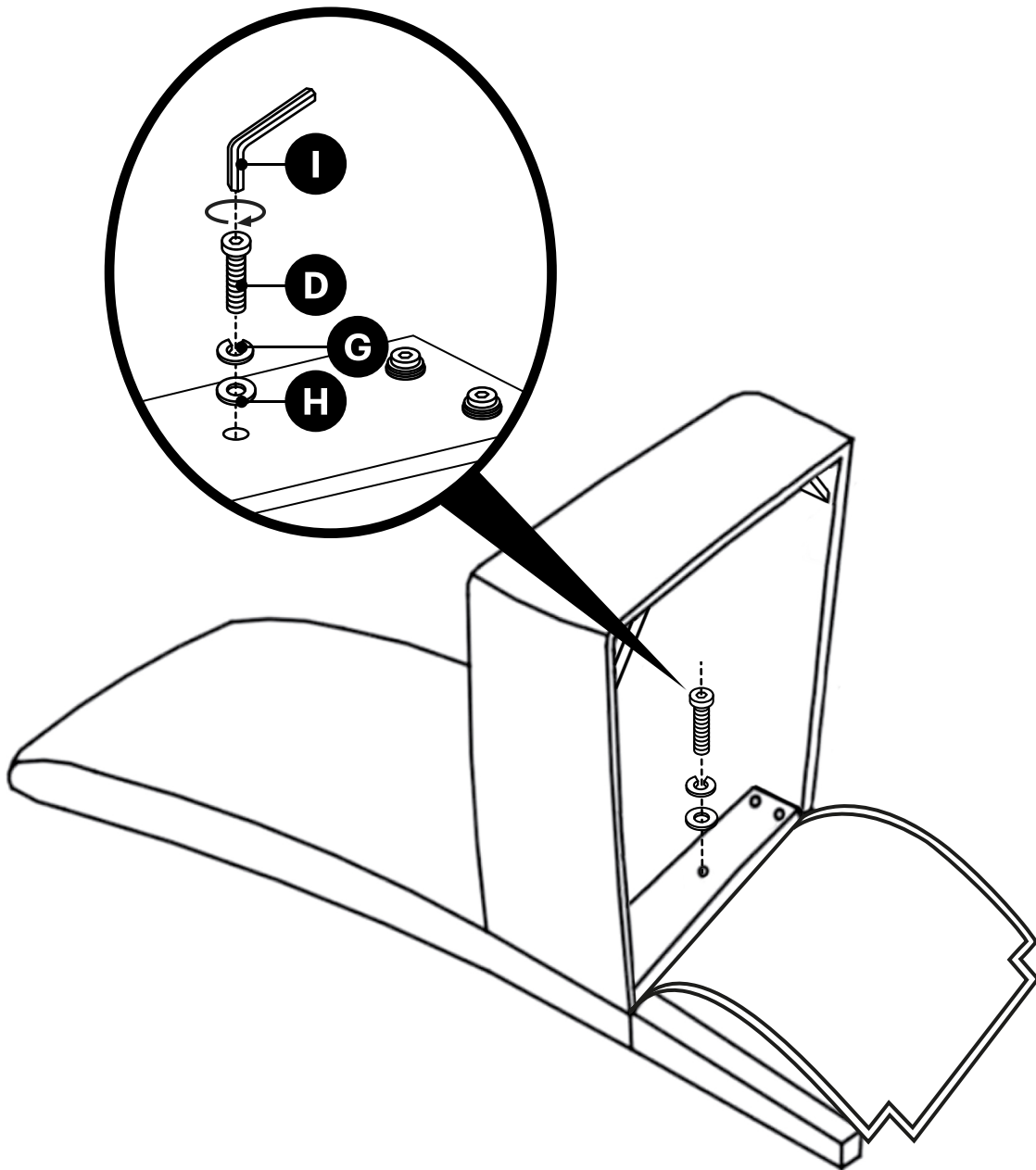


- 1 Open the dust cover. Attach the seat to the backrest using the bolts as shown, but do not fully tighten.



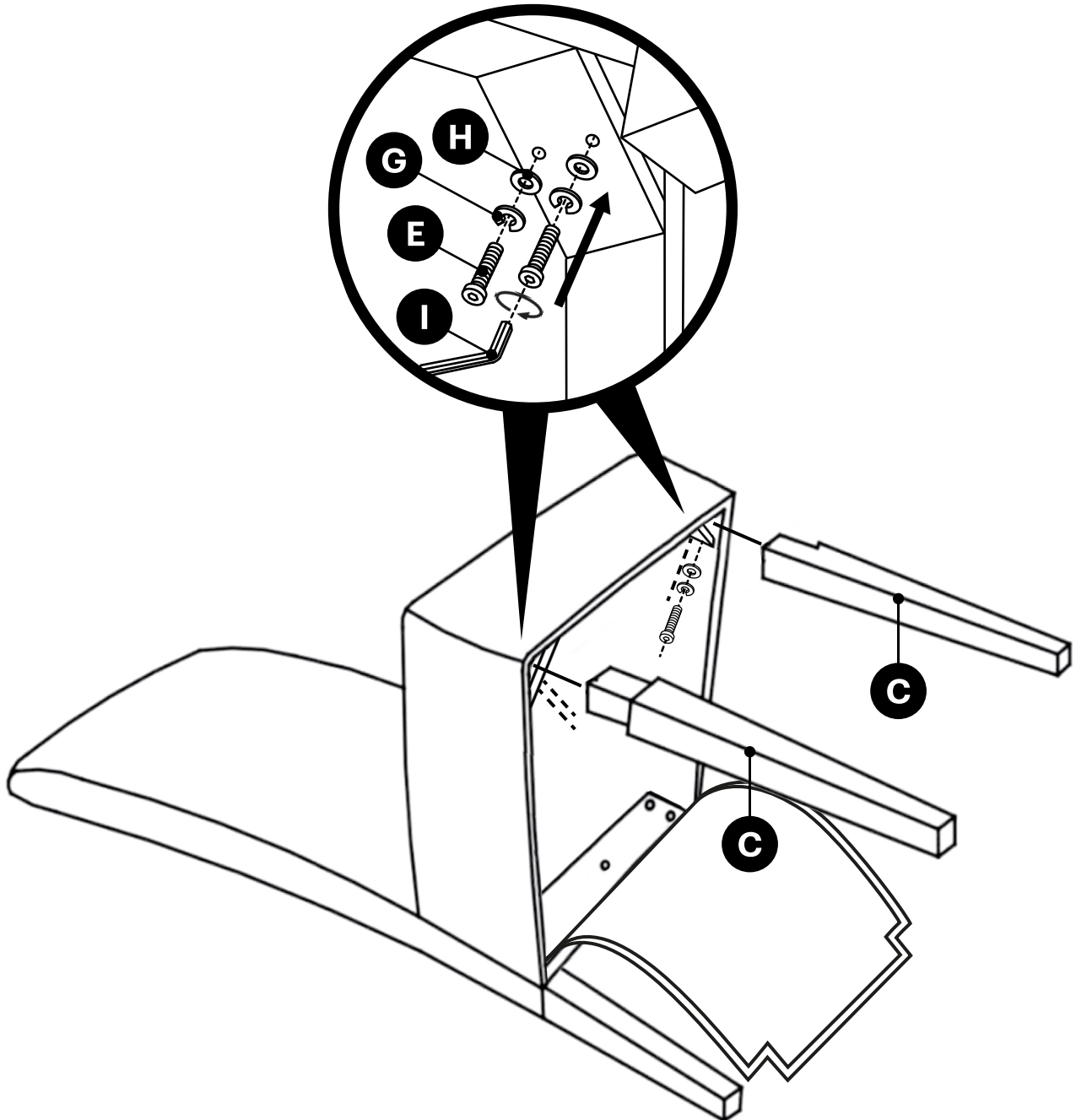


2 Attach the seat centre bolt to the backrest as shown, **but do not fully tighten.**



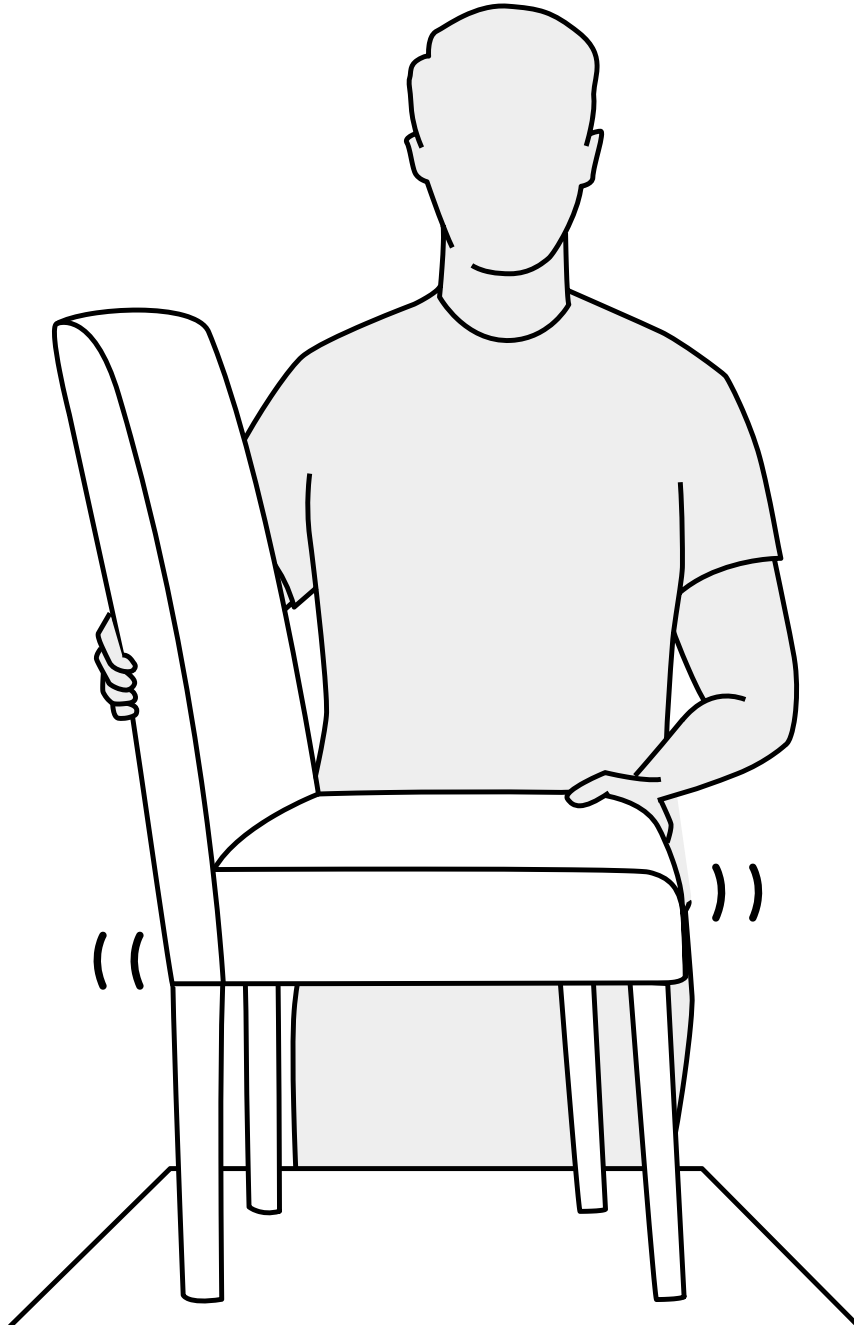


3 Attach the front legs to the seat using the bolts as shown, **but do not fully tighten.**



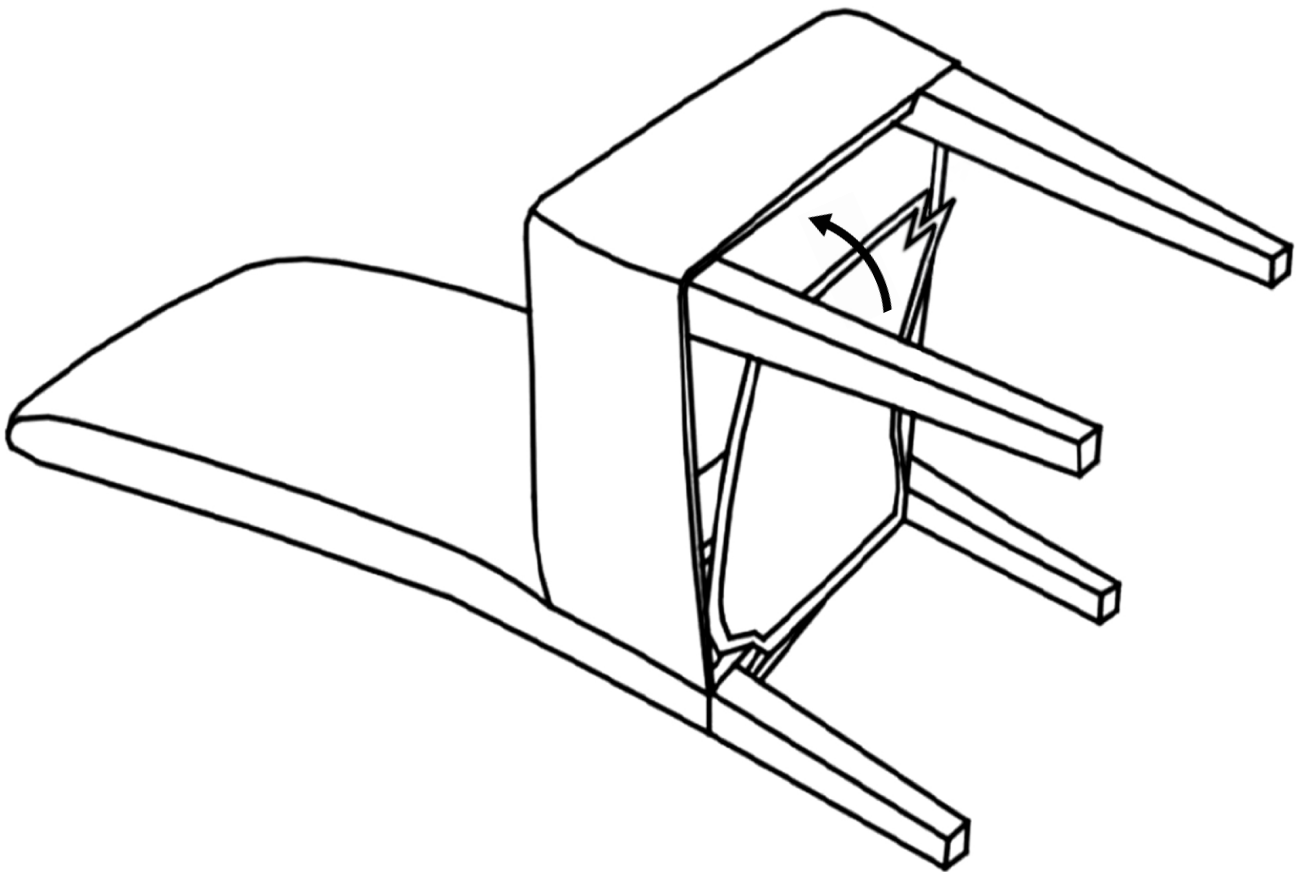


- 4** Place the chair upright on a flat surface. Hold the chair and move the backrest side to side until the legs are level. **Then fully tighten all bolts.**



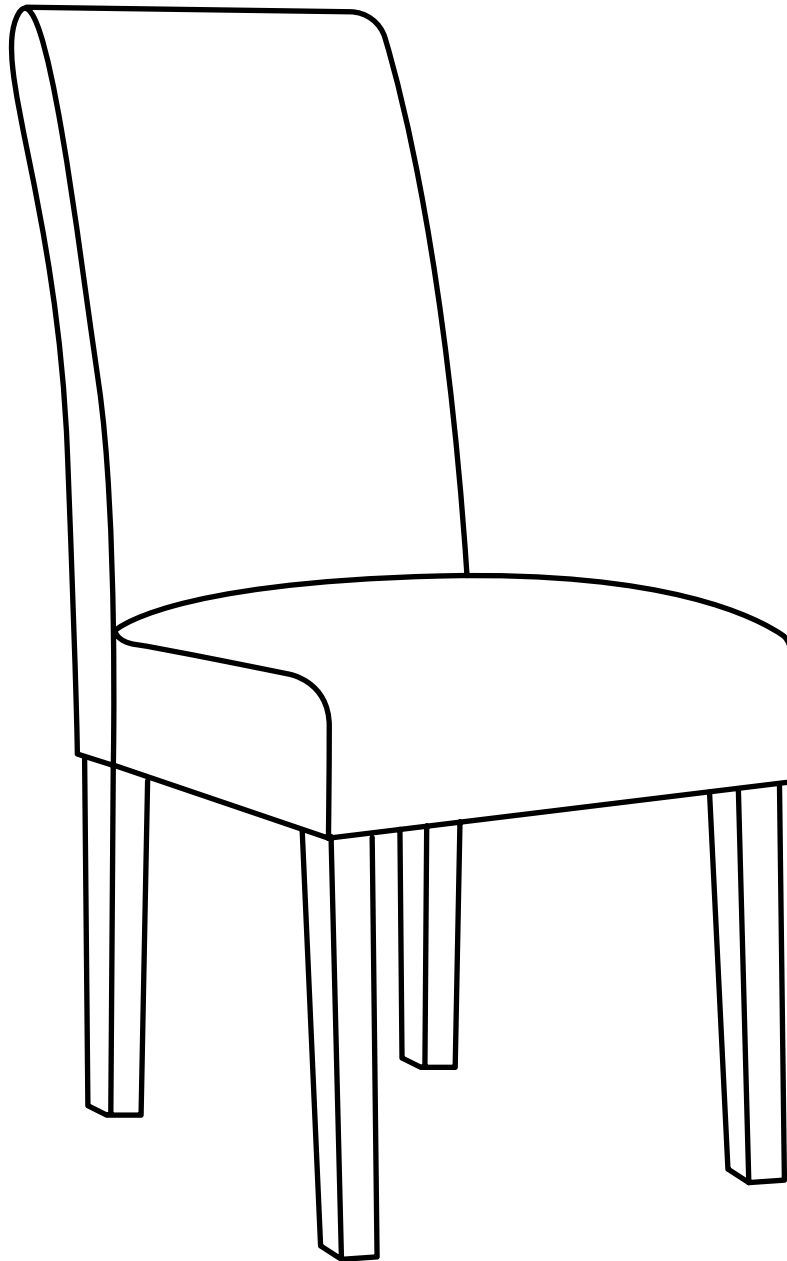


- 5** Re-attach the dust cover underneath the chair.





6



Troubleshooting

If your chair is wobbly, check out our troubleshooting video.



— About the Regent Dining Chair

Upholstery and appearance

- Every effort has been made to ensure each piece of furniture matches
- Upholstery can have a pile in the weave and look different from various angles and lighting
 - this is a characteristic of the material and not a fault
- Upholstery can have slight variations in colour and finish
- Wood will have natural variation in the colour and grain

Caring for your furniture

- This chair is for indoor, residential use only
- Excessive heat or strong sunlight (such as through patio doors and windows), can cause discolouration, fading and surface degradation over time
- Avoid strong sunlight as chrome finishes can magnify the heat of the sun
- Avoid sharp objects such as studs, buckles, jewellery, heels, toys or a pet's claws on the upholstery as this can cause damage
- Greasy and oily hair products can damage upholstery
- Light-coloured upholstery can be at risk of discolouration due to dye transfer from dark or strong-coloured clothing, cushions and throws
- Avoid placing damp clothing, wet towels or printed newspapers directly on the upholstery
- Remove spills immediately – do not rub stains and spills, blot them first
- Regularly tighten the bolts to avoid damage and maintain stability and strength

Cleaning your furniture

- Dust and vacuum your furniture on a weekly basis with the appropriate upholstery attachment
- Use a clean, soft, lint-free cloth slightly dampened with water to remove dirt or body oils
- For tougher stains, use a soft cloth with a little non-alkaline, non-detergent soap
- Do not use household cleaning products, bleaches, solvent based cleaners, detergents, corrosives, scourers or abrasives, which can damage surfaces and upholstery

For more information and support, visit help.furniturechoice.co.uk