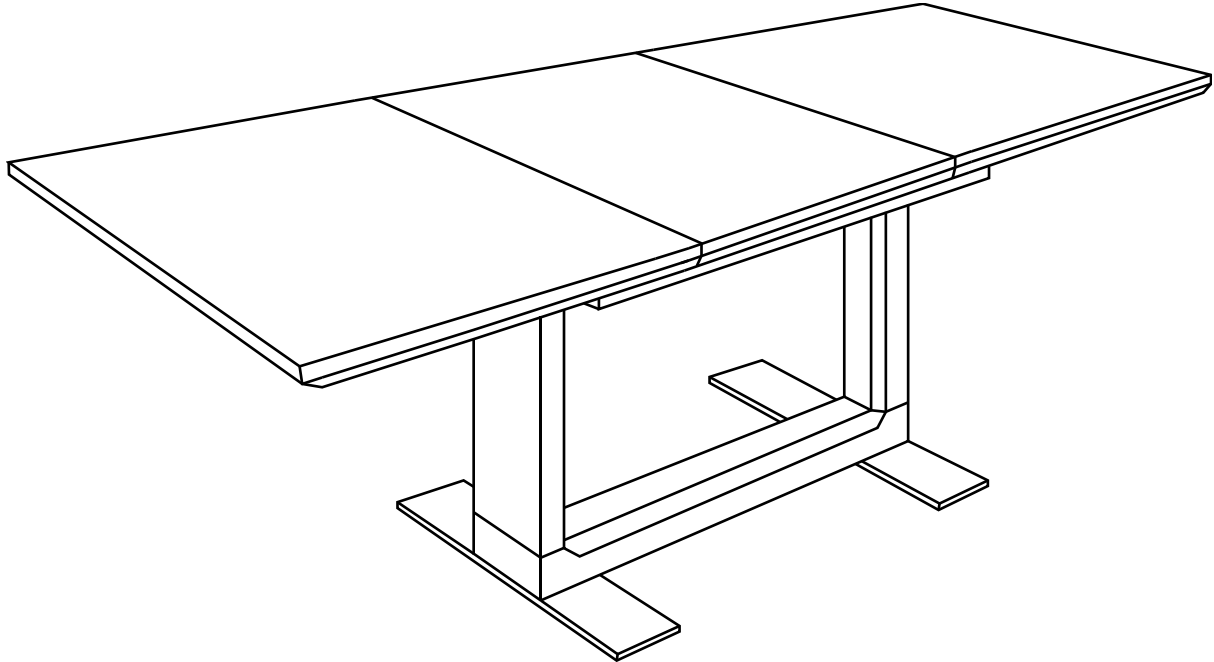


**— Thank you for buying the Tokyo Extending Dining Table****Before you start:****Unpack carefully**

- Avoid using sharp objects that might cause damage
- Be careful not to dispose of the enclosed assembly kit
- Please dispose of the packaging responsibly

Before and during assembly

- This table requires 2 people to assemble
- Make sure all items are accounted for and clearly laid out before starting
- Make sure you have enough space to assemble the table safely
- Assemble the table where it will be placed to avoid moving unnecessarily
- Place the parts on a soft and flat surface to avoid damage
- Carefully remove any transit bolts before assembly
- Put all bolts in before fully tightening
- Do not use power tools or overtighten any fittings as this can cause damage

Caution

- Do not put heavy items on the edge of the table top
- Do not stand or sit on the table
- Do not use the table unless all the bolts and screws are firmly tightened
- Keep small parts, plastic bags and film away from children



— In the box

A x 4



Clasp

B x 16



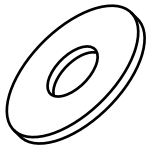
Screw M4x16mm

C x 8



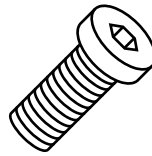
Wooden Dowel 8x30mm

D x 16



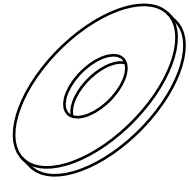
Flat Washer 16mm

E x 16



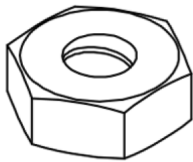
Bolt M6x15mm

F x 4



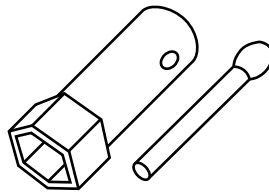
Flat Washer 25mm

G x 8



Nut M10

H x 1



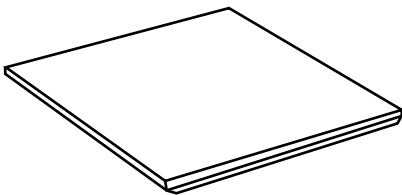
Socket Spanner M10

I x 1



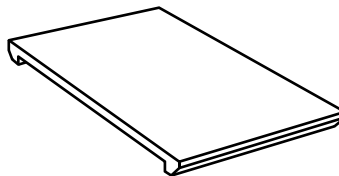
Allen Key 4mm

J x 1



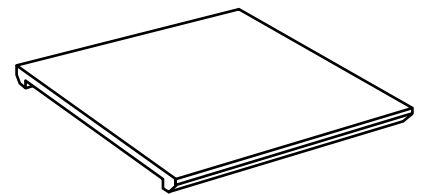
Left Table Top

K x 1



Extension Leaf

L x 1

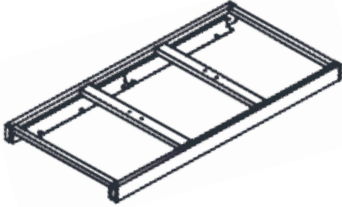


Right Table Top



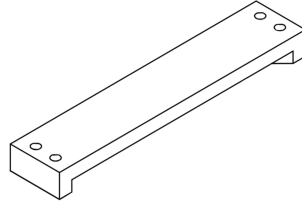
— In the box

M x 1



Frame

N x 1



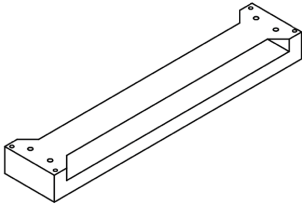
Pedestal Top

O x 2



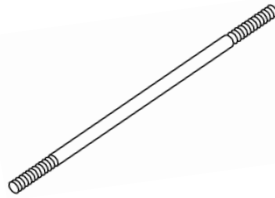
Pedestal Leg

P x 1



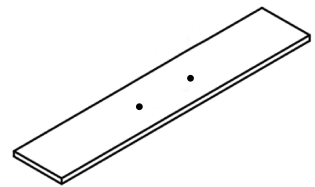
Pedestal Base

Q x 4



Metal Rod M10x702mm

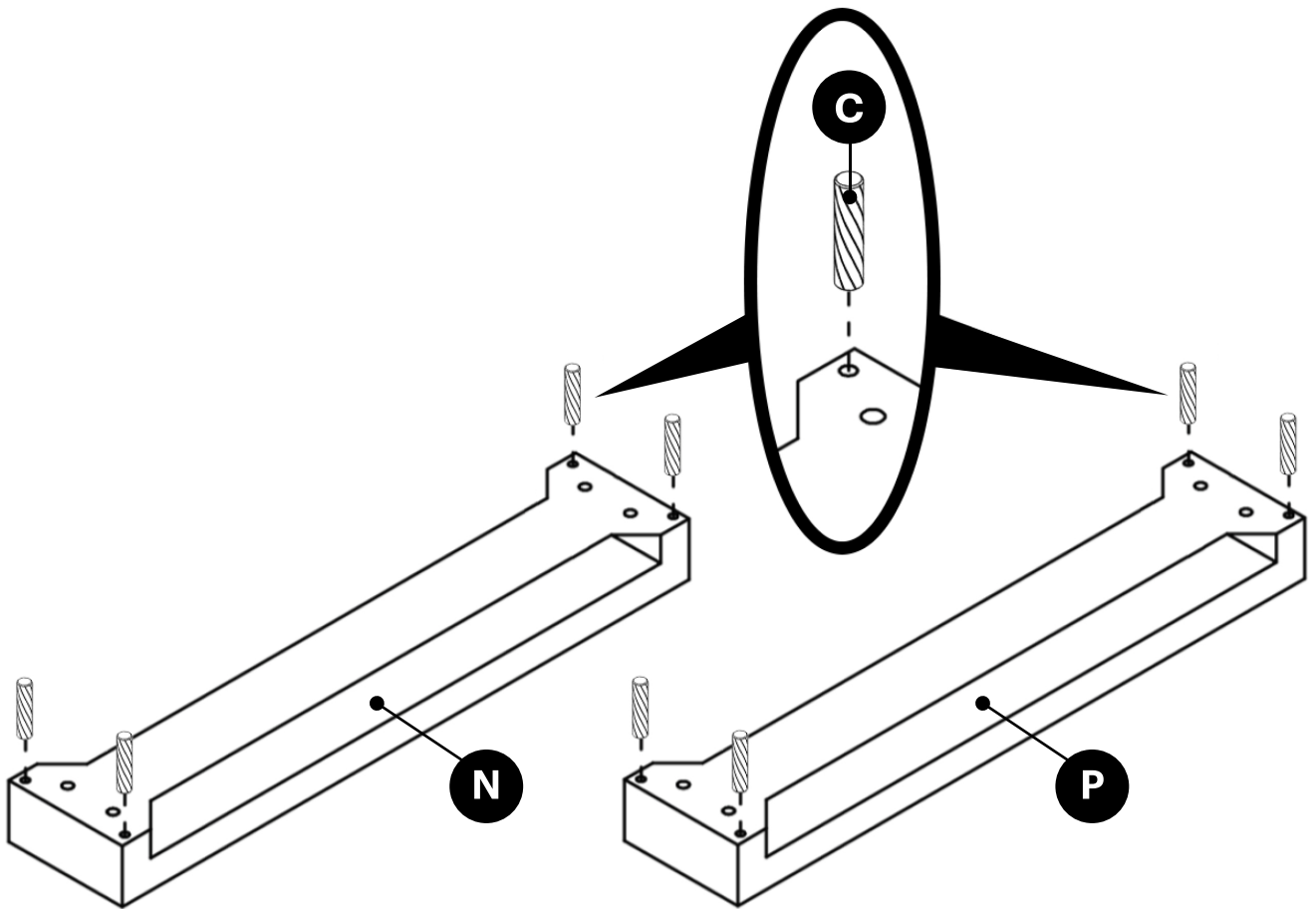
R x 2



Feet

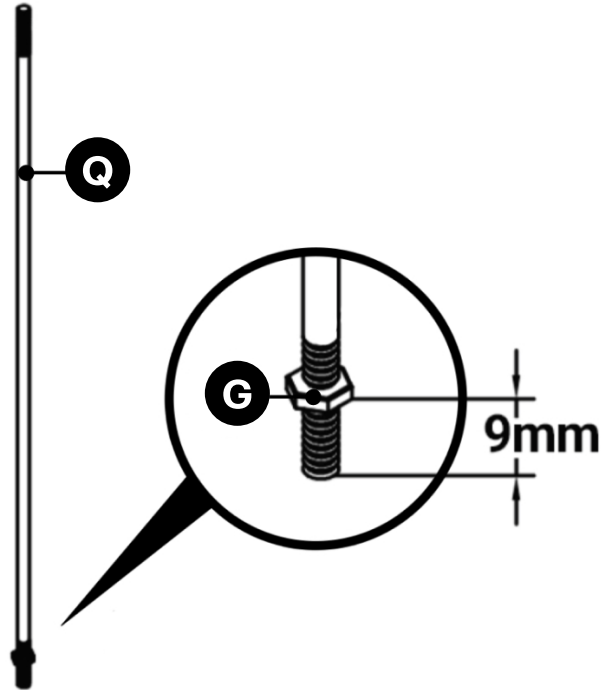


- 1** Insert the wooden dowels into the pedestal top and base.

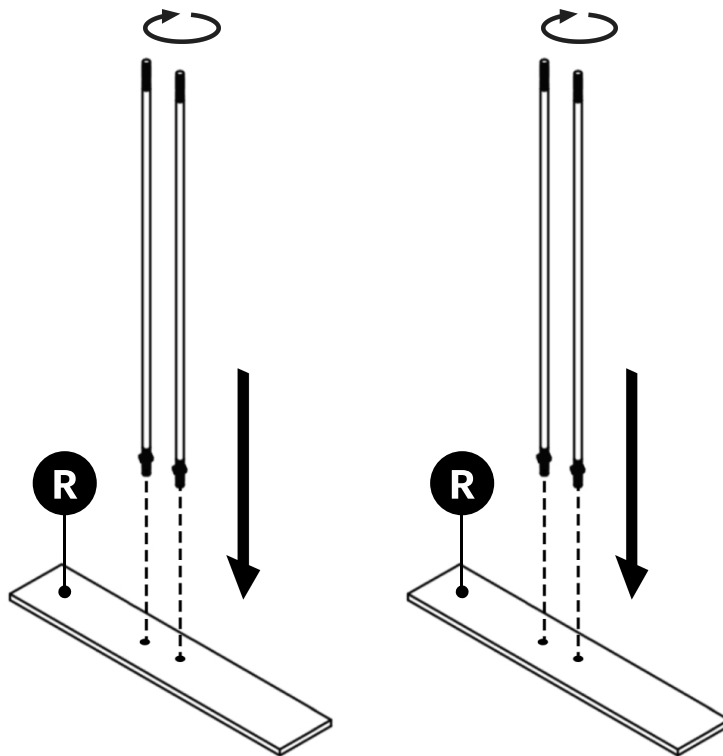




2 Attach the nuts to the metal rods until they are 9mm from the ends as shown.

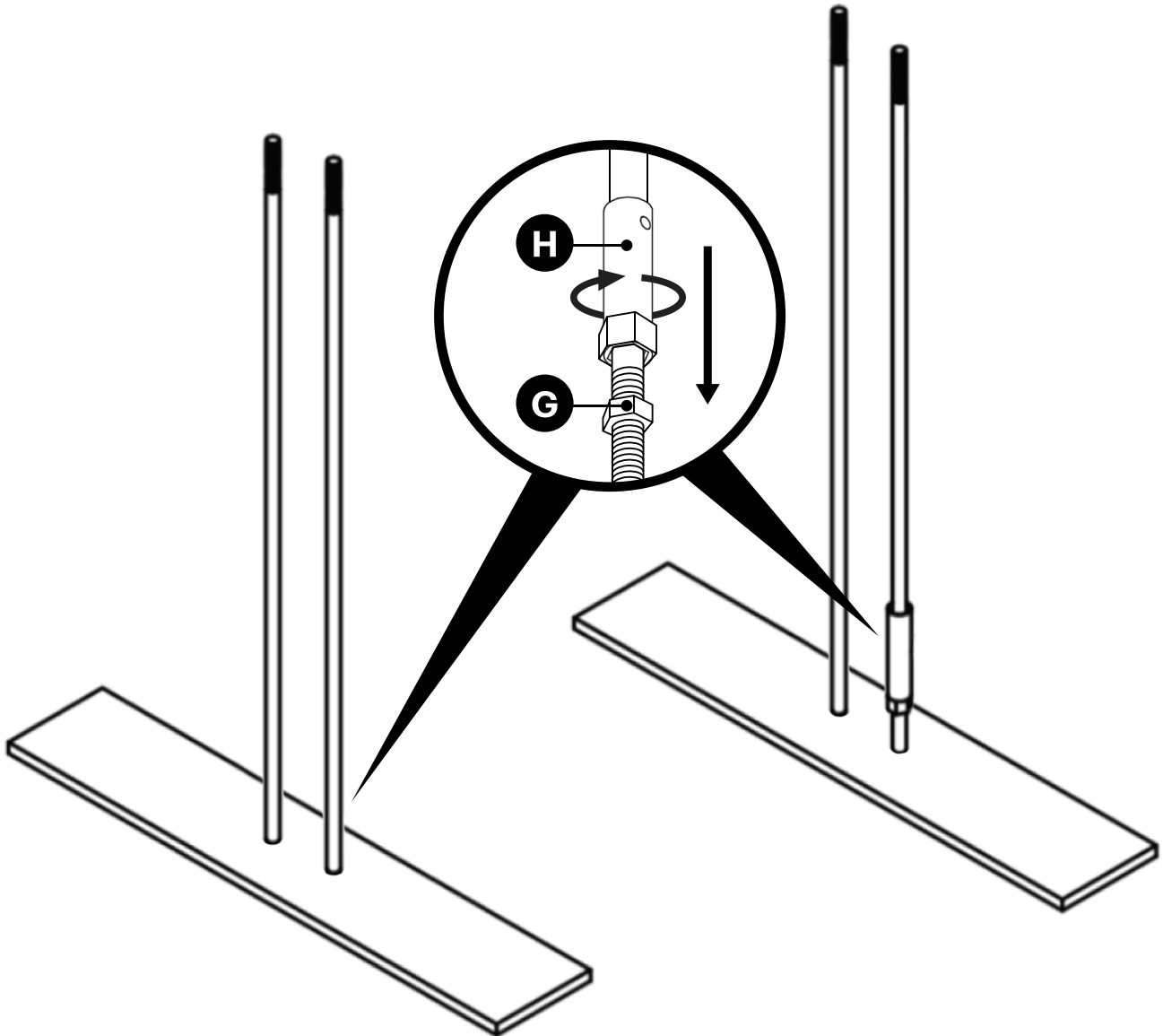


3 Then screw the metal rods into the feet up to the nuts.



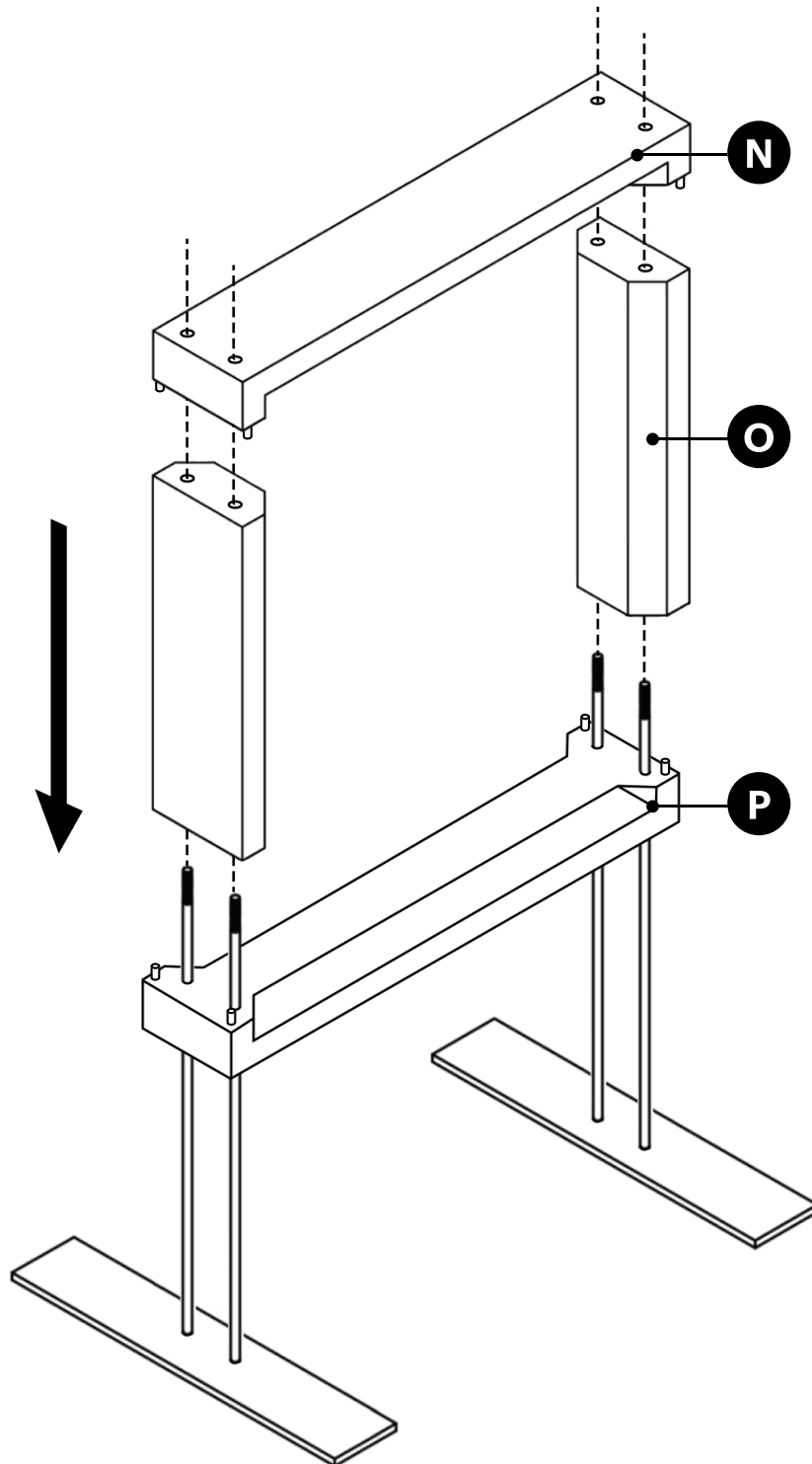


4 Tighten the nuts using the socket spanner as shown.



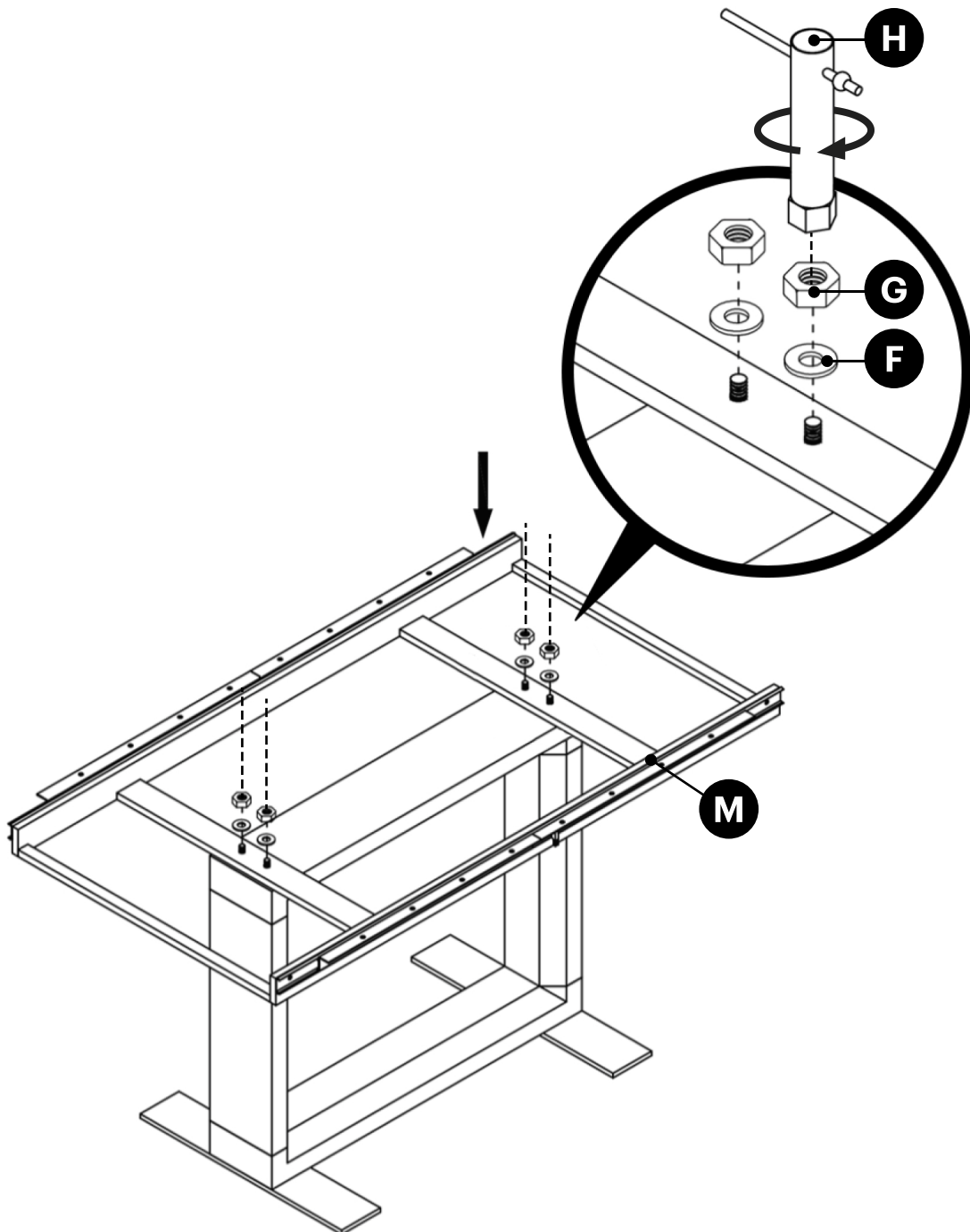


- 5** Attach the pedestal to the feet. Slot the pedestal base onto the metal rods, followed by the pedestal legs, and finally the pedestal top.



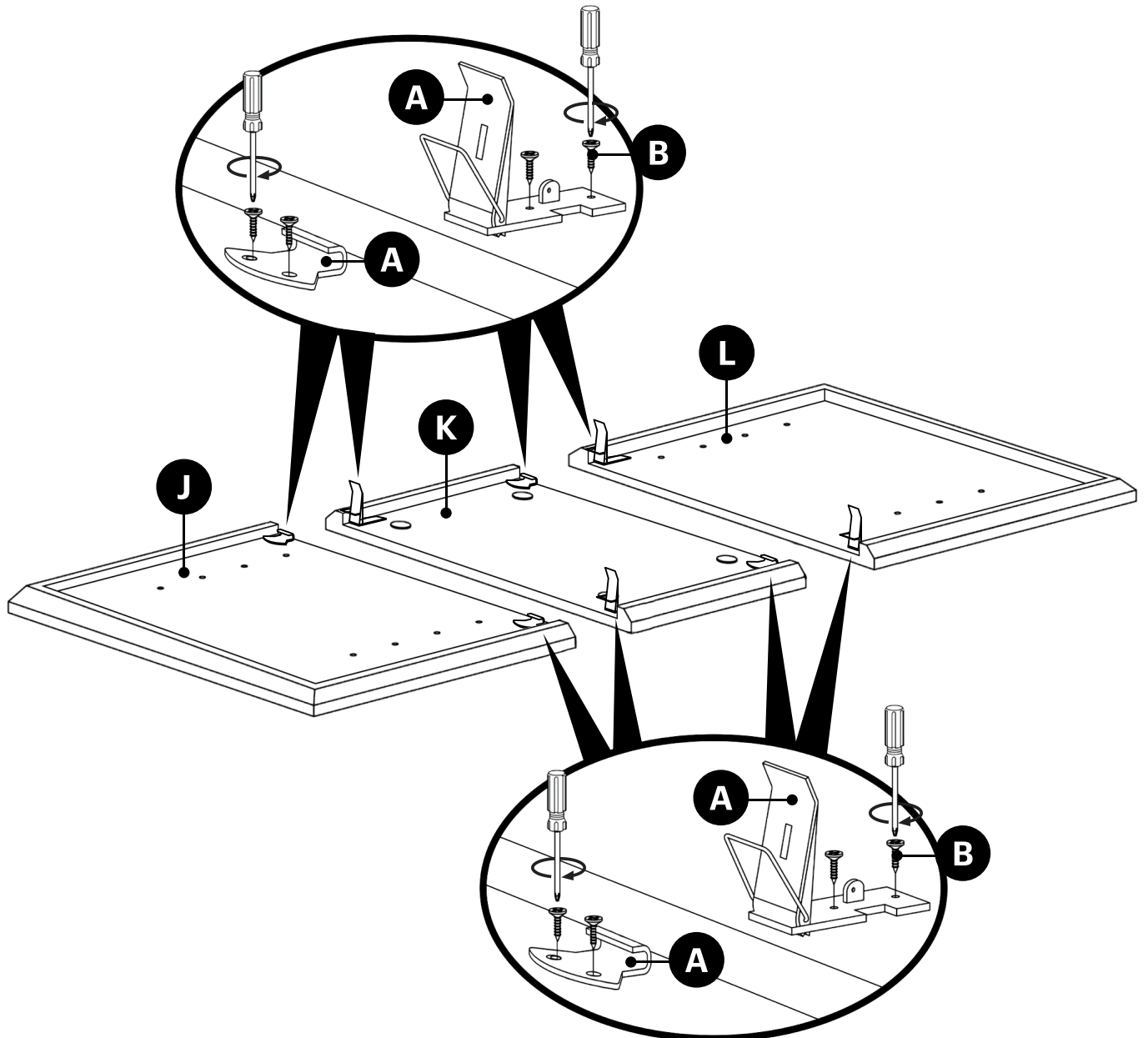


- 6** Attach the table frame to the pedestal top. Insert the washers and nuts as shown, then tighten with the socket spanner.



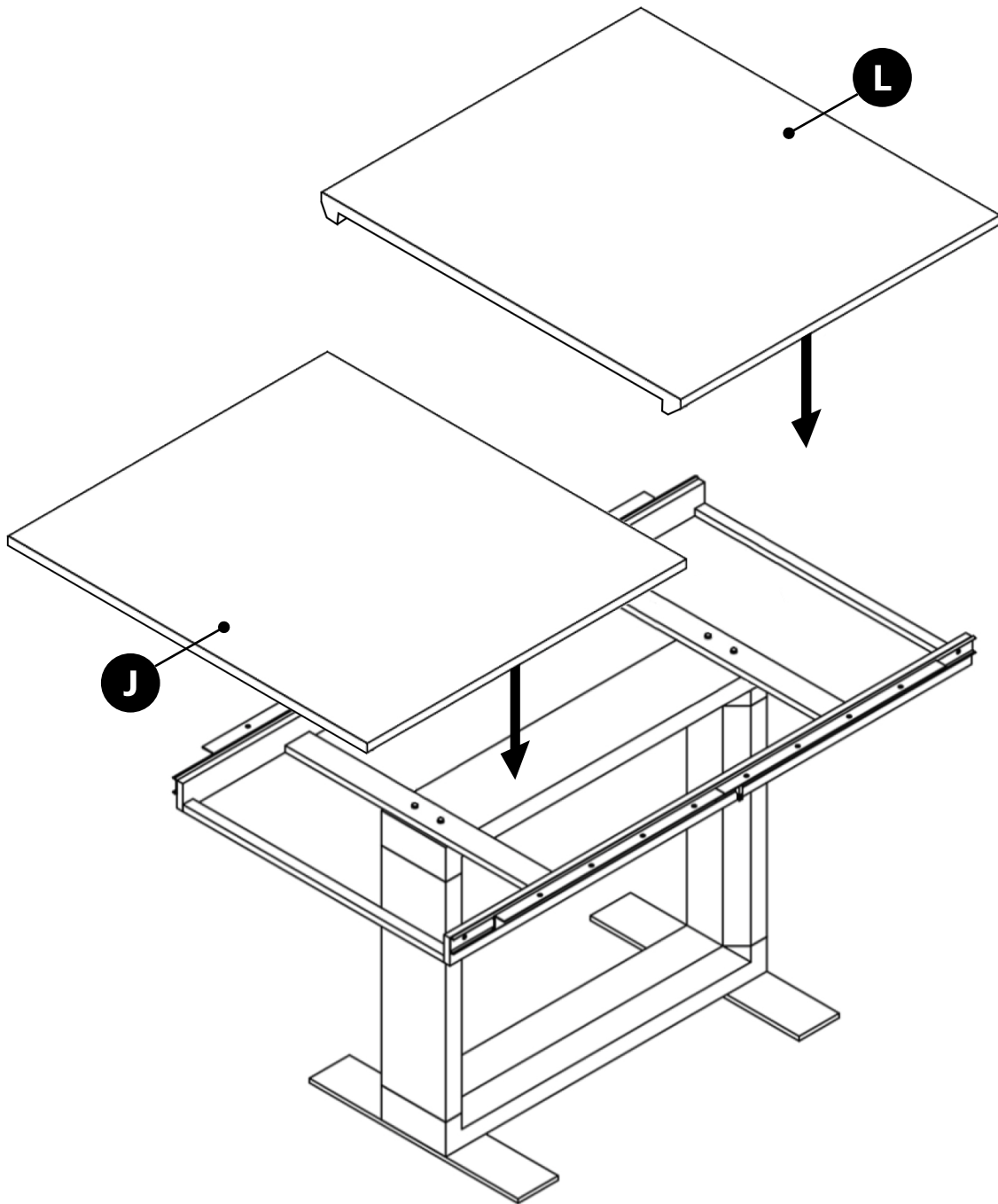


- 7** Place the table top on a soft, flat surface. Align the clasps as shown, then secure them to the table top using a Phillips screwdriver.





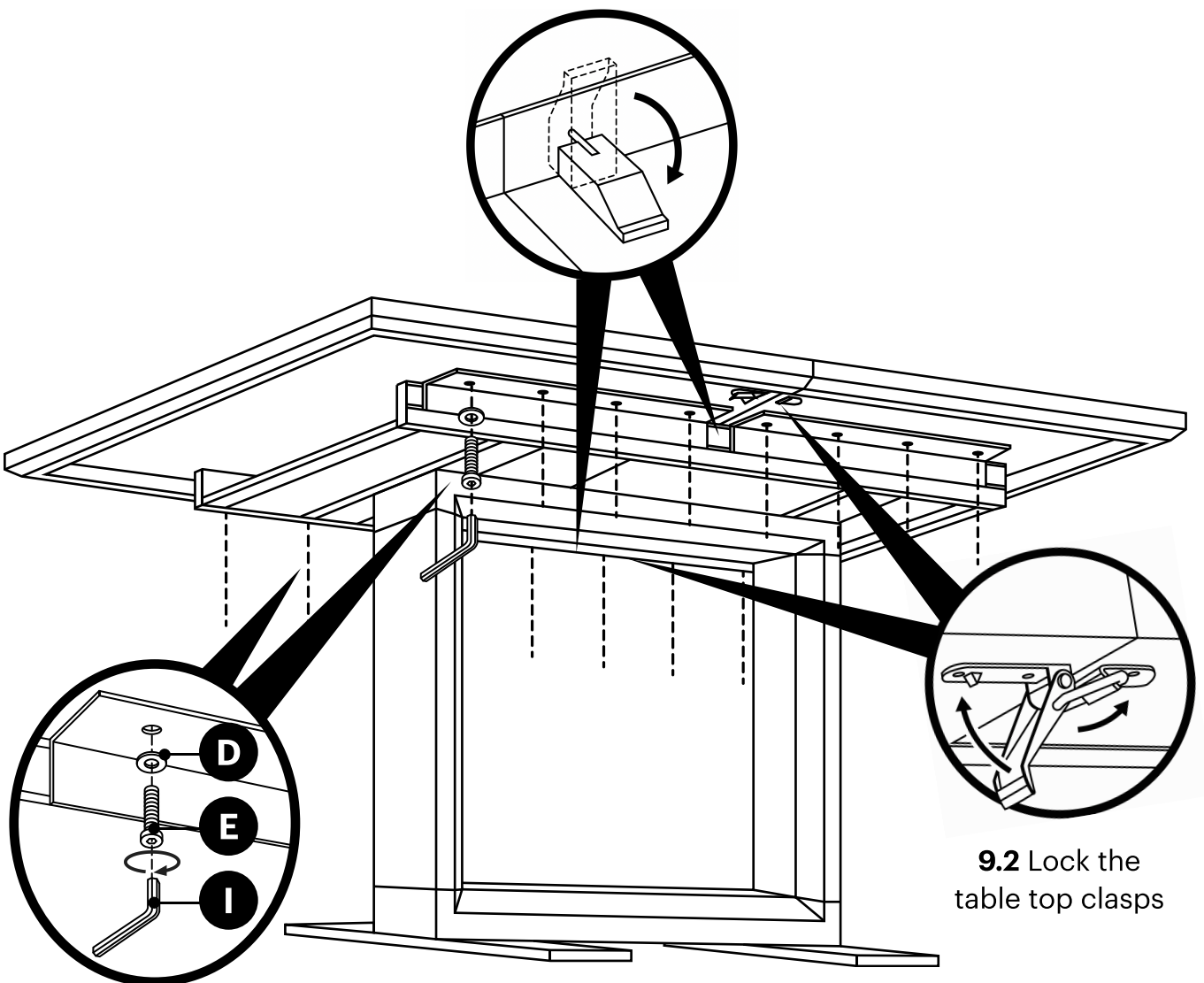
- 8** Attach the table tops to the table frame. First, place the table tops on the extension rails.





- 9** **9.1** Unlock the extension rail clasps as shown.
- 9.2** Lock the table top clasps, then align the table top to the extension rails.
- 9.3** Insert the washers and bolts as shown, **but do not fully tighten the bolts**. Only fully tighten the bolts when the table is fully extended, as shown in the next steps.

9.1 Unlock the extension rail clasps

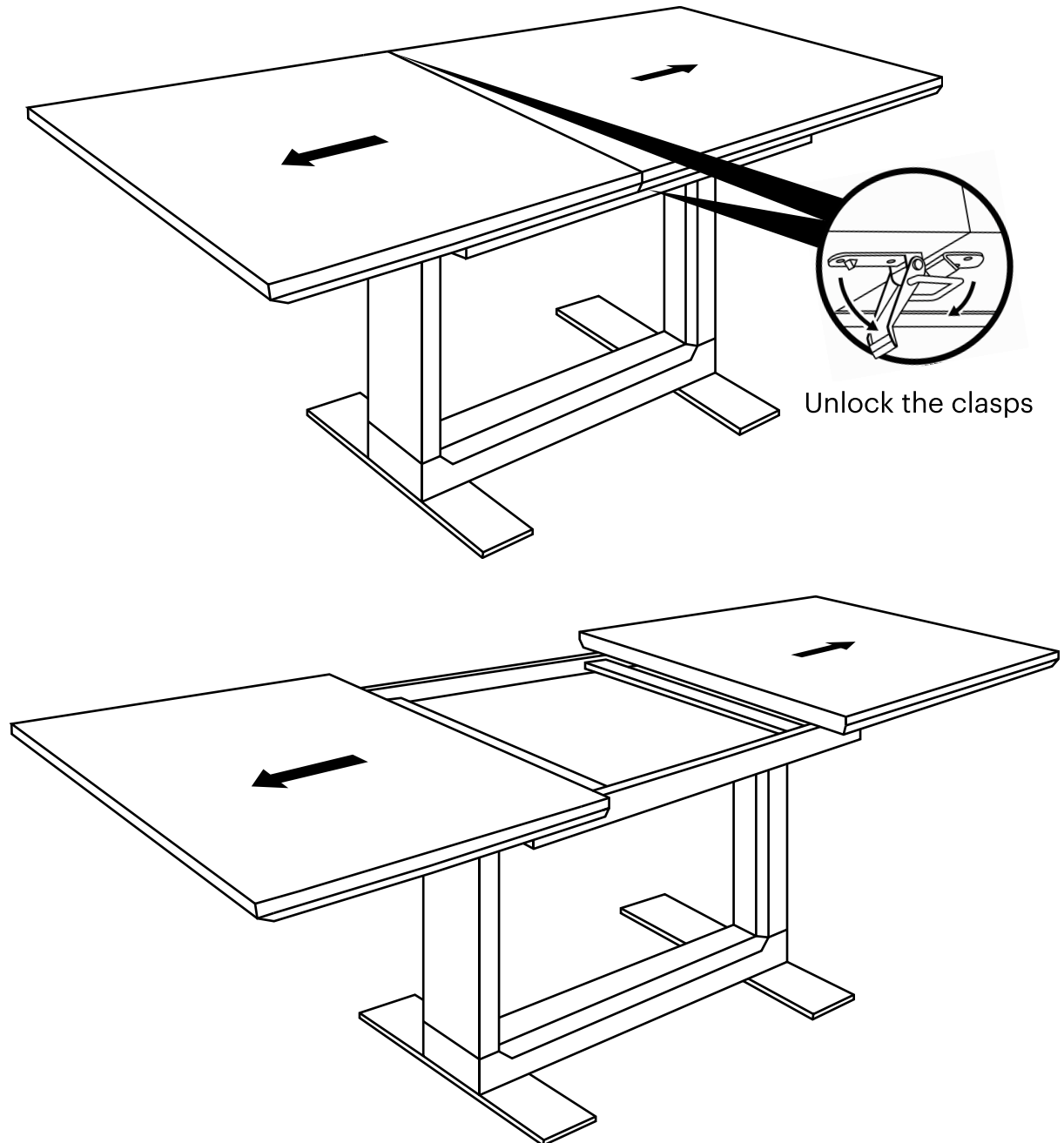


9.2 Lock the table top clasps

9.3 Insert the washers and bolts

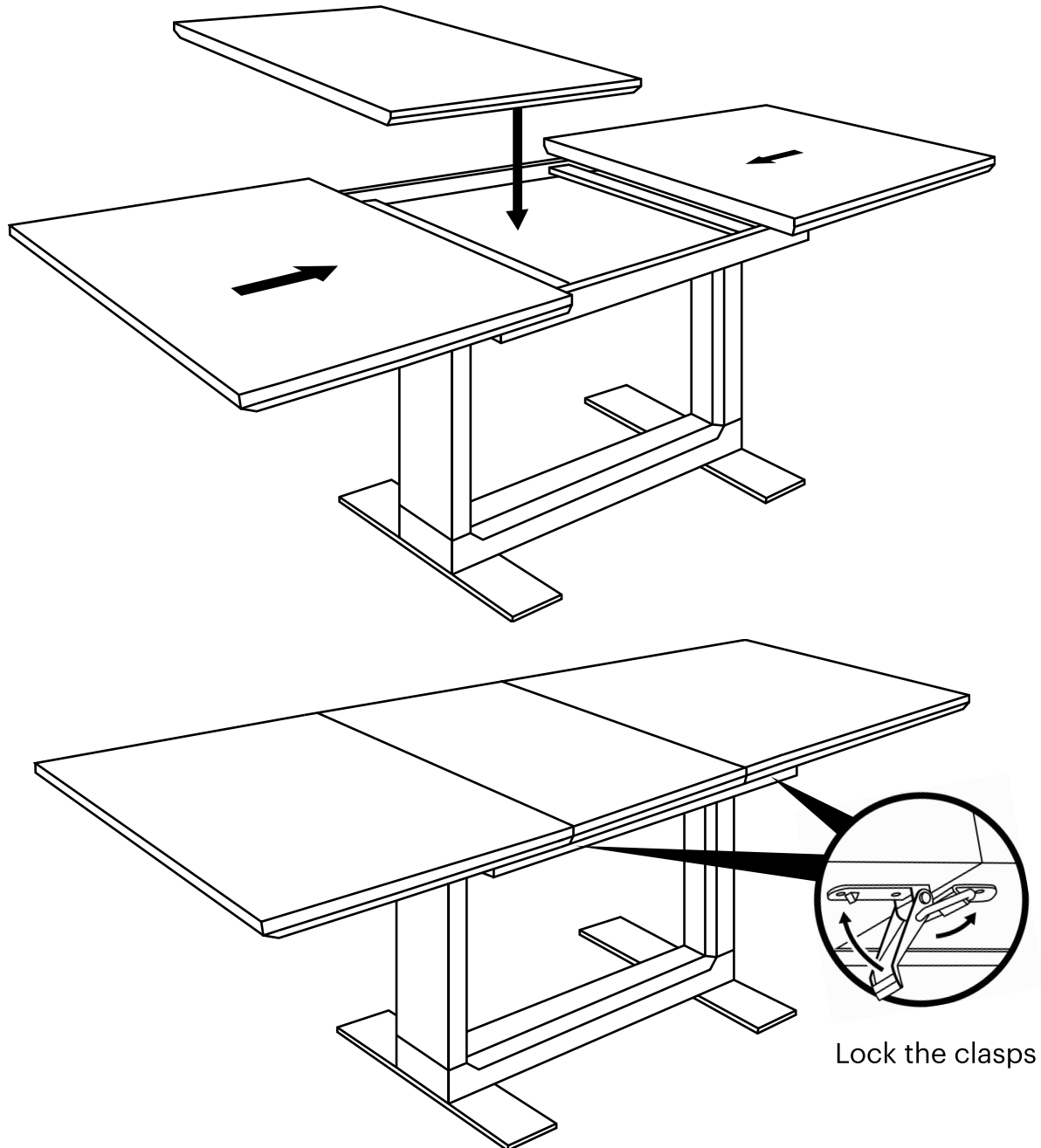


10 To extend the table, unlock the clasps beneath the table top and pull both sides apart.



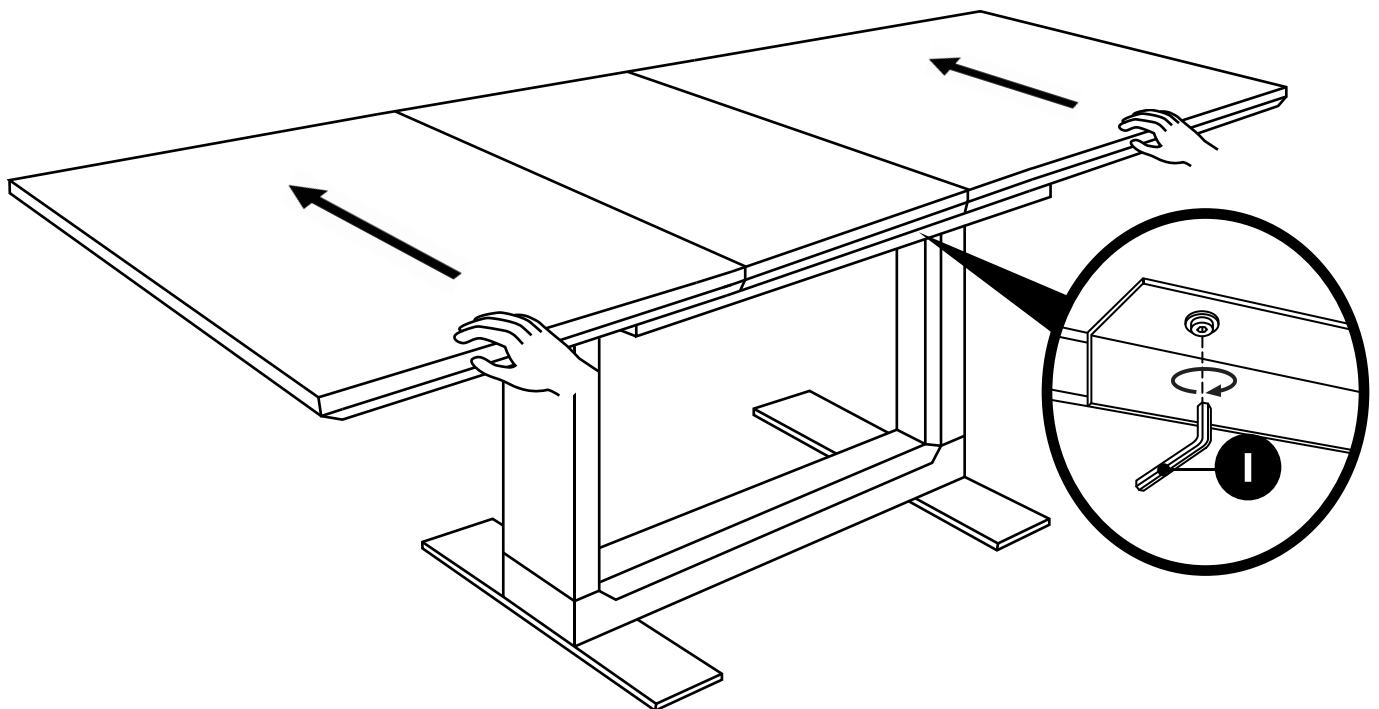


11 Gently place the centre leaf in position and lock the clasps to secure.



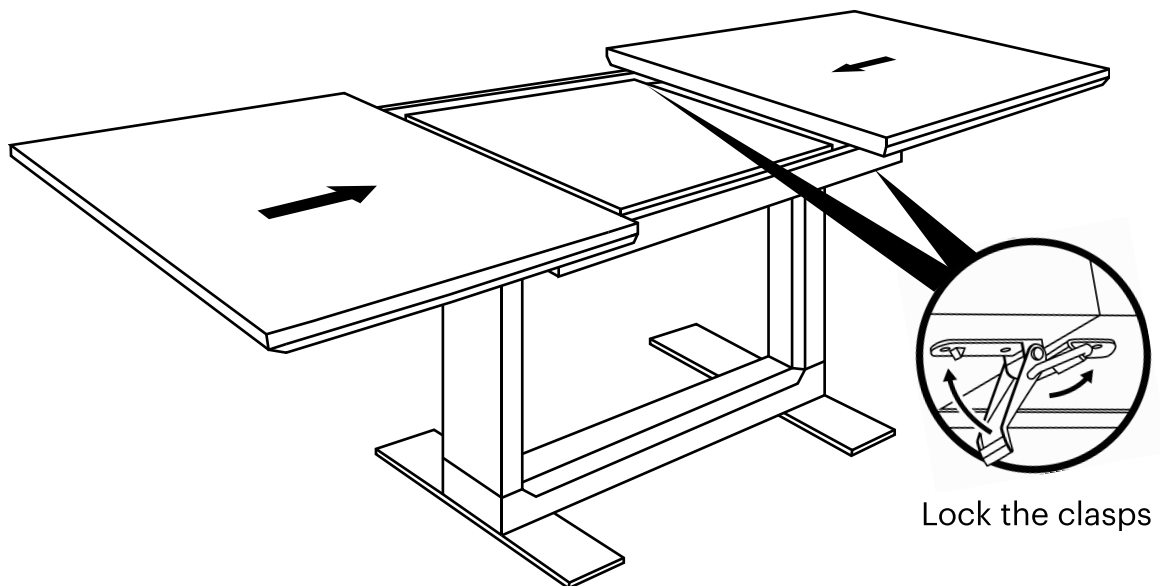
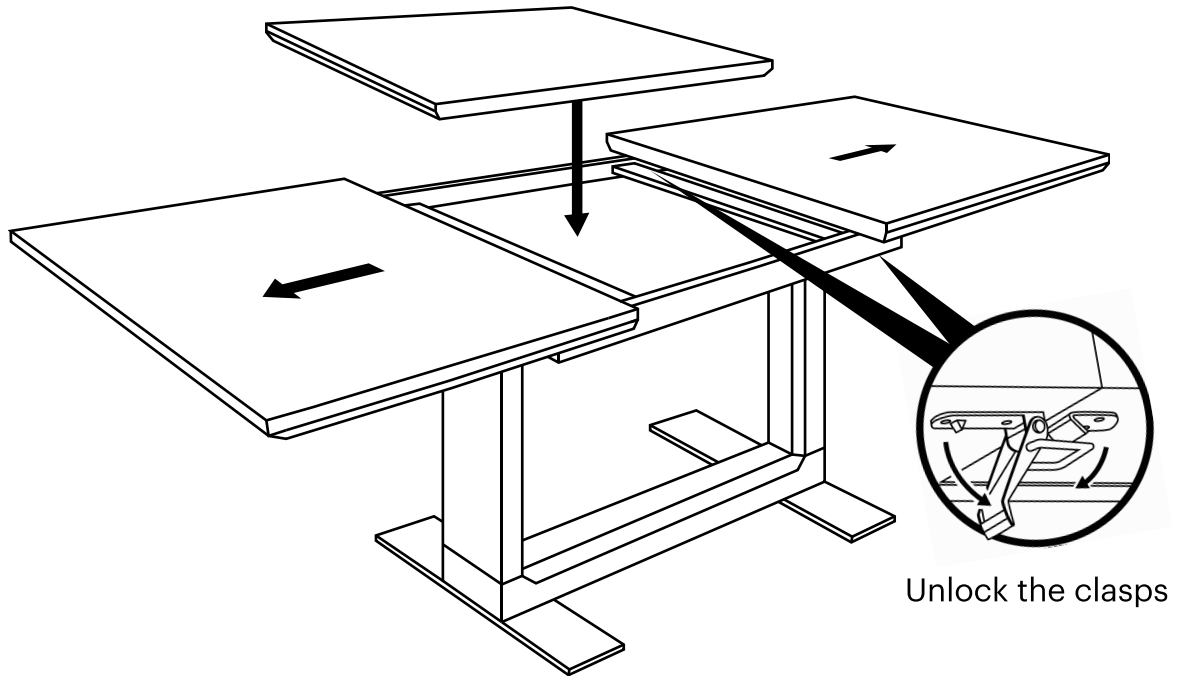


- 12** Before fully tightening the bolts, make sure the table top is straight, pushing it to one side as shown. **Now fully tighten all bolts.**



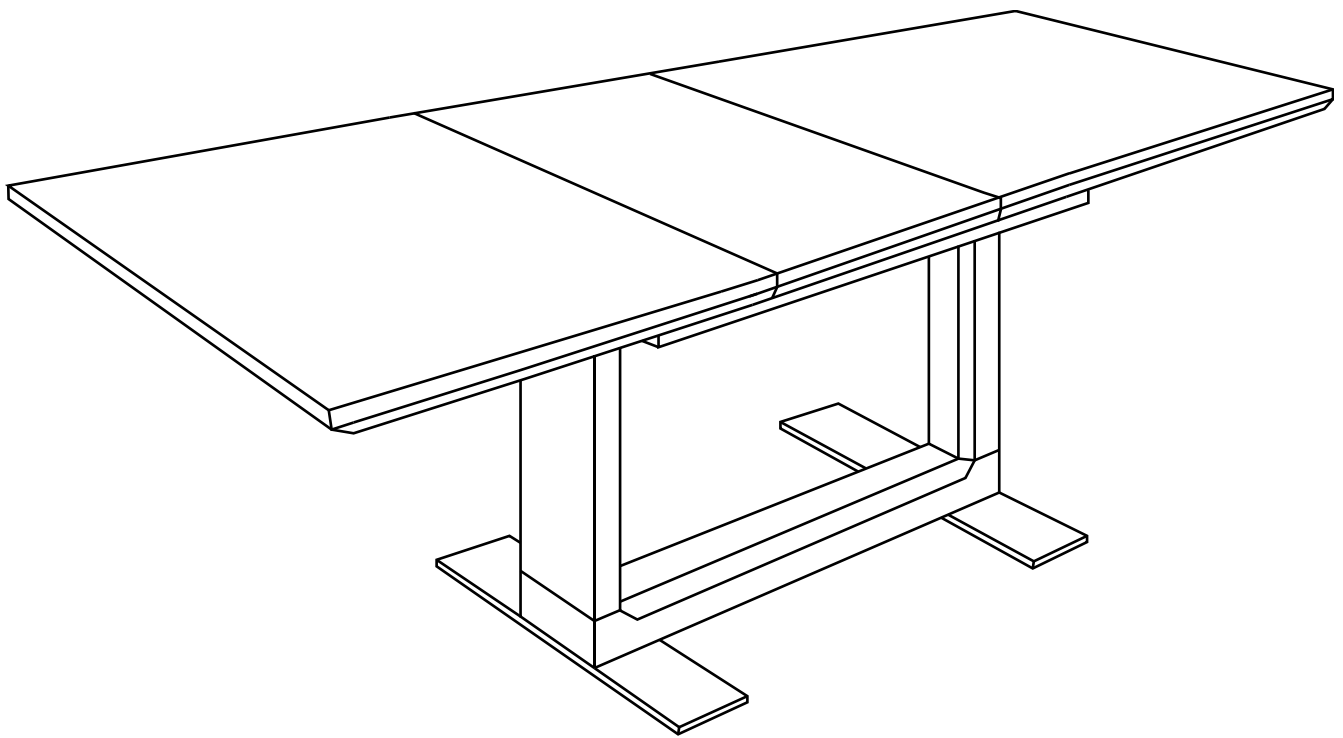


- 13** To store the centre leaf, unlock the clasps beneath the table top and pull both sides apart. Gently store the centre leaf within the opening. Close the table and lock the clasps.





14





— **Important information - please read before use**



Cleaning your furniture

- Do not use household cleaning products, bleaches, solvent based cleaners, detergents, corrosives, scourers or abrasives, which can damage surfaces
- Wipe clean with a damp cloth and dry with a soft duster making sure no surfaces are left wet

Caring for your furniture

To avoid deep scratches or surface damage that can impact the integrity, longevity and durability of your table

- Always use place mats or trivets and do not place hot items directly on the table top
- Lift objects off the table instead of dragging them across the surface
- Do not stick adhesive tape on any surfaces
- Remove spills immediately with a damp cloth and dry with a soft duster making sure no surfaces are left wet
- Cleaning and use over time can change the surface colour slightly
- Avoid strong sunlight (such as through patio doors and windows), as this can cause discolouration, fading or surface degradation over time. This can be especially noticeable when compared to areas that are not exposed, such as centre extensions and under table runners
- Avoid strong sunlight on chrome finishes as this can magnify the heat of the sun
- Avoid excessive heat (such as radiators or open fires) as this can cause warping or cracking

To avoid structural damage

- Do not drag the table when moving, instead lift and place carefully
- Regularly tighten the bolts to avoid damage and maintain stability and strength

This table is for indoor, residential use only.

For more information and support, visit help.furniturechoice.co.uk