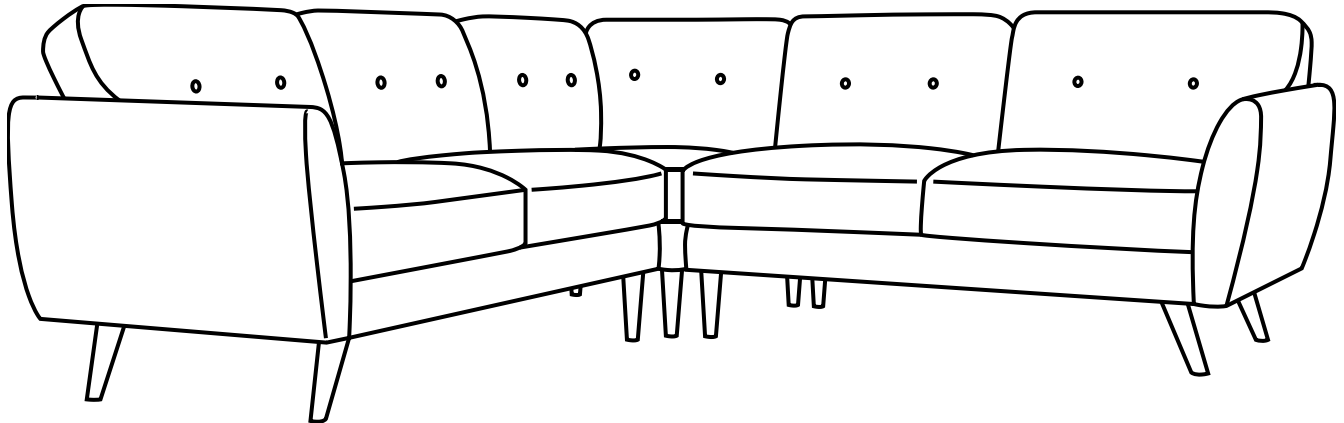


**— Thank you for buying the Harlow Corner Sofa****Before you start:****Unpack carefully**

- Avoid using sharp objects that might cause damage
- Be careful not to dispose of the enclosed assembly kit
- Please dispose of the packaging responsibly

Before and during assembly

- This sofa requires 2 people to assemble
- Make sure all items are accounted for and clearly laid out before starting
- Make sure you have enough space to assemble the sofa safely
- Assemble the sofa where it will be placed to avoid moving unnecessarily
- Place the parts on a soft and flat surface to avoid damage
- Make sure backrests are slotted in evenly and not at an angle
- Do not use power tools or overtighten any fittings as this can cause damage
- If the upholstery is creased, plump the cushions and allow the sofa to settle at room temperature
- Carefully trim off any loose threads

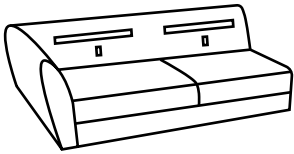
Caution

- Do not stand or jump on the sofa
- Keep small parts, plastic bags and film away from children



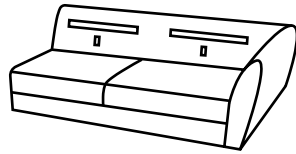
— In the box

A x 1



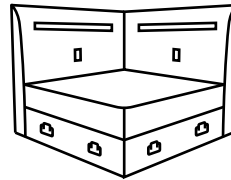
Left Corner Seat

B x 1



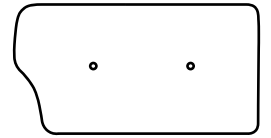
Right Corner Seat

C x 1



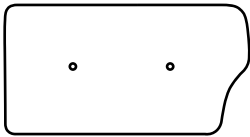
Centre Seat Wedge

D x 1



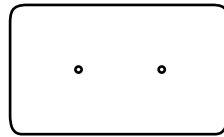
Left Corner Back Cushion

E x 1



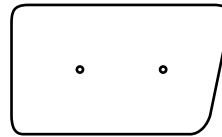
Right Corner Back Cushion

F x 2



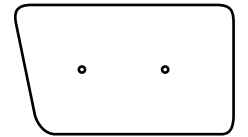
Centre Back Cushion

G x 1



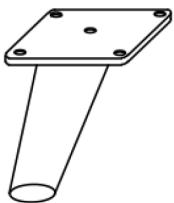
Left Corner Wedge Cushion

H x 1



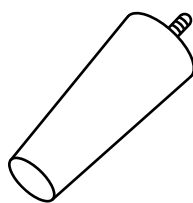
Right Corner Wedge Cushion

I x 4



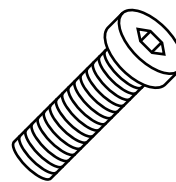
Foot

J x 8



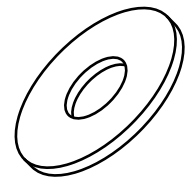
Support Leg

K x 16



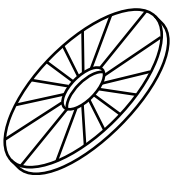
Bolt M8x25mm

L x 16



Flat Washer 22mm

M x 8



Plastic Washer 45mm

N x 1

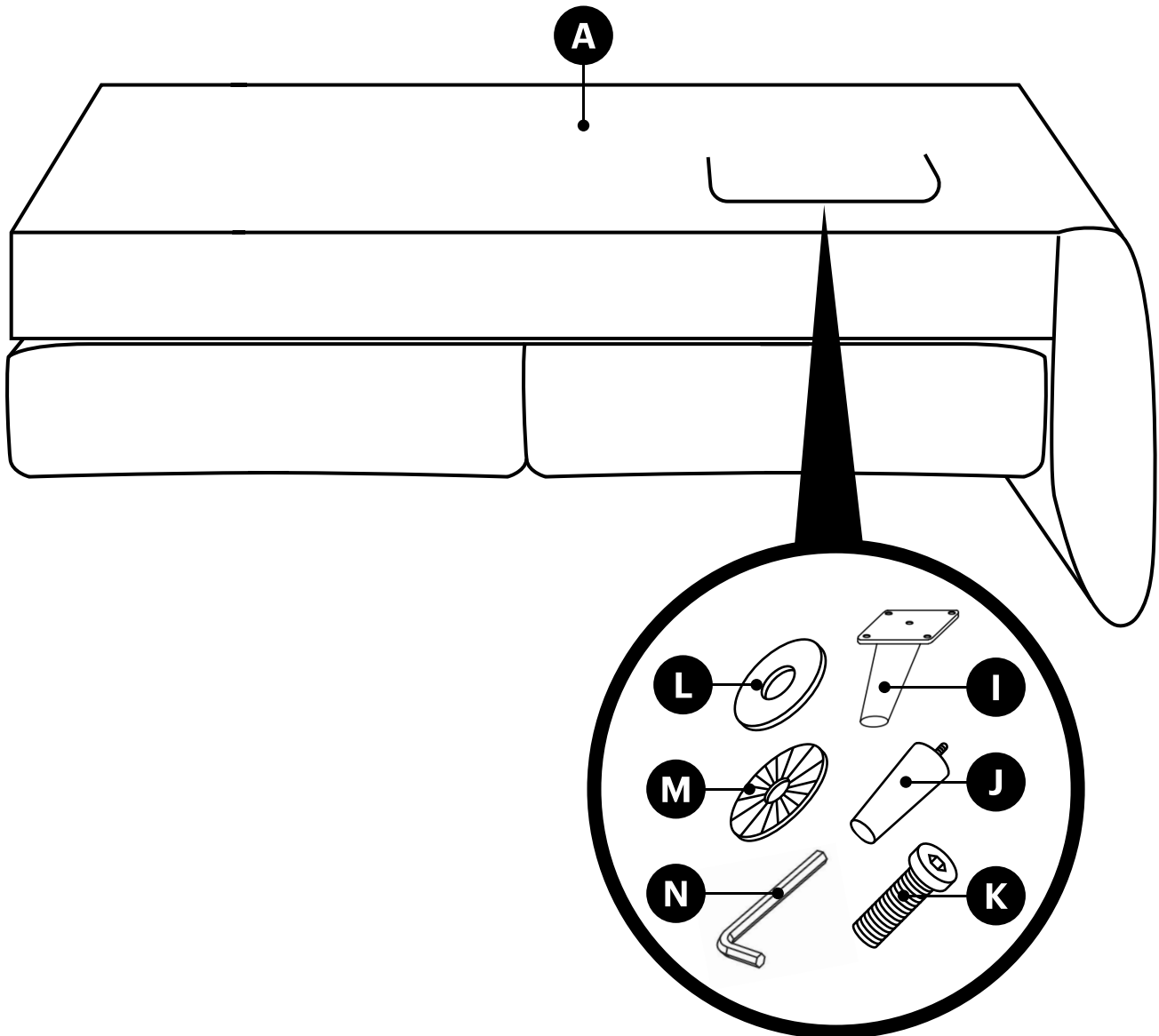


Allen Key 6mm



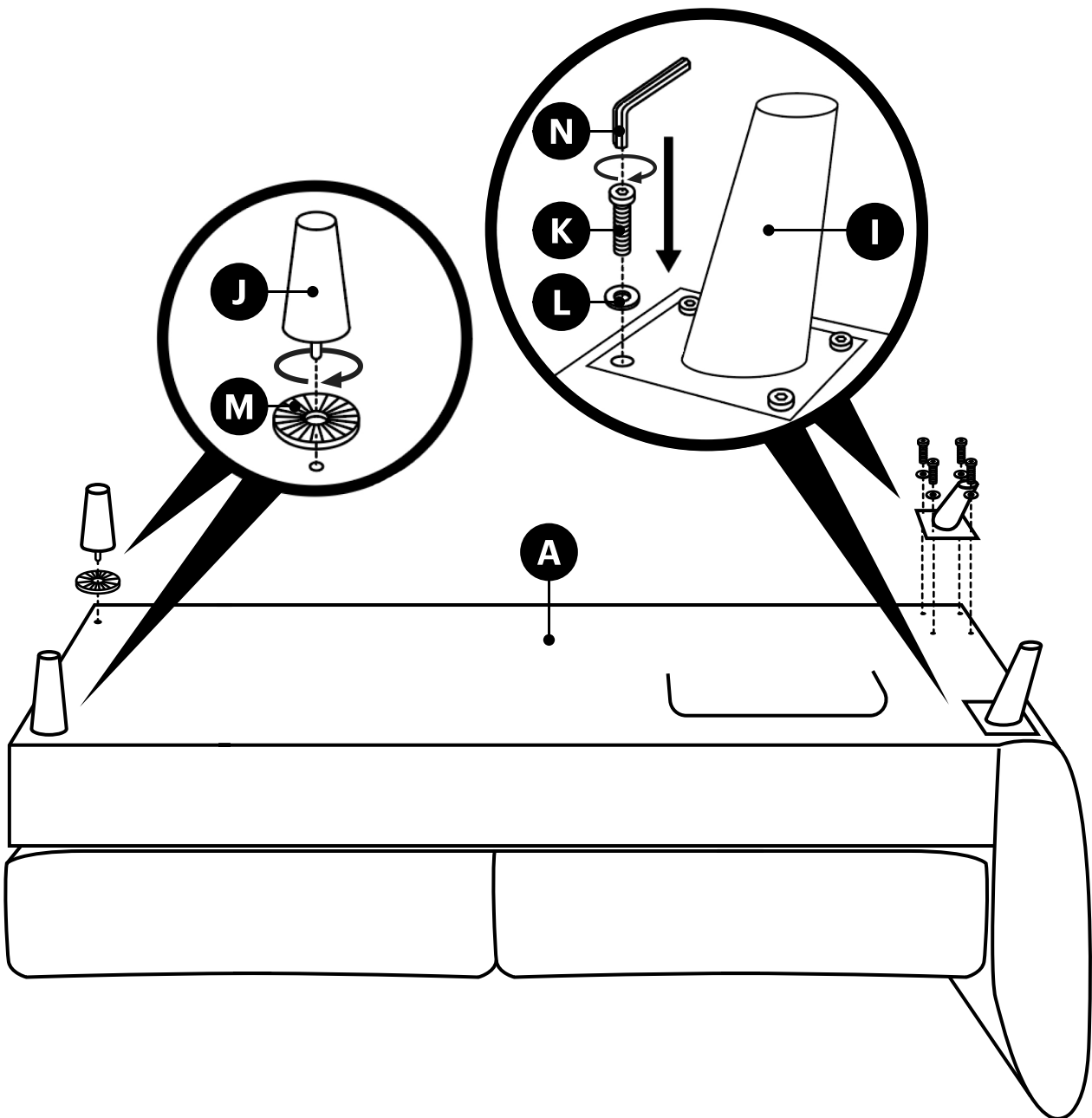
1 Left corner seat

Find the feet and accessories in the zipped pocket underneath the sofa.





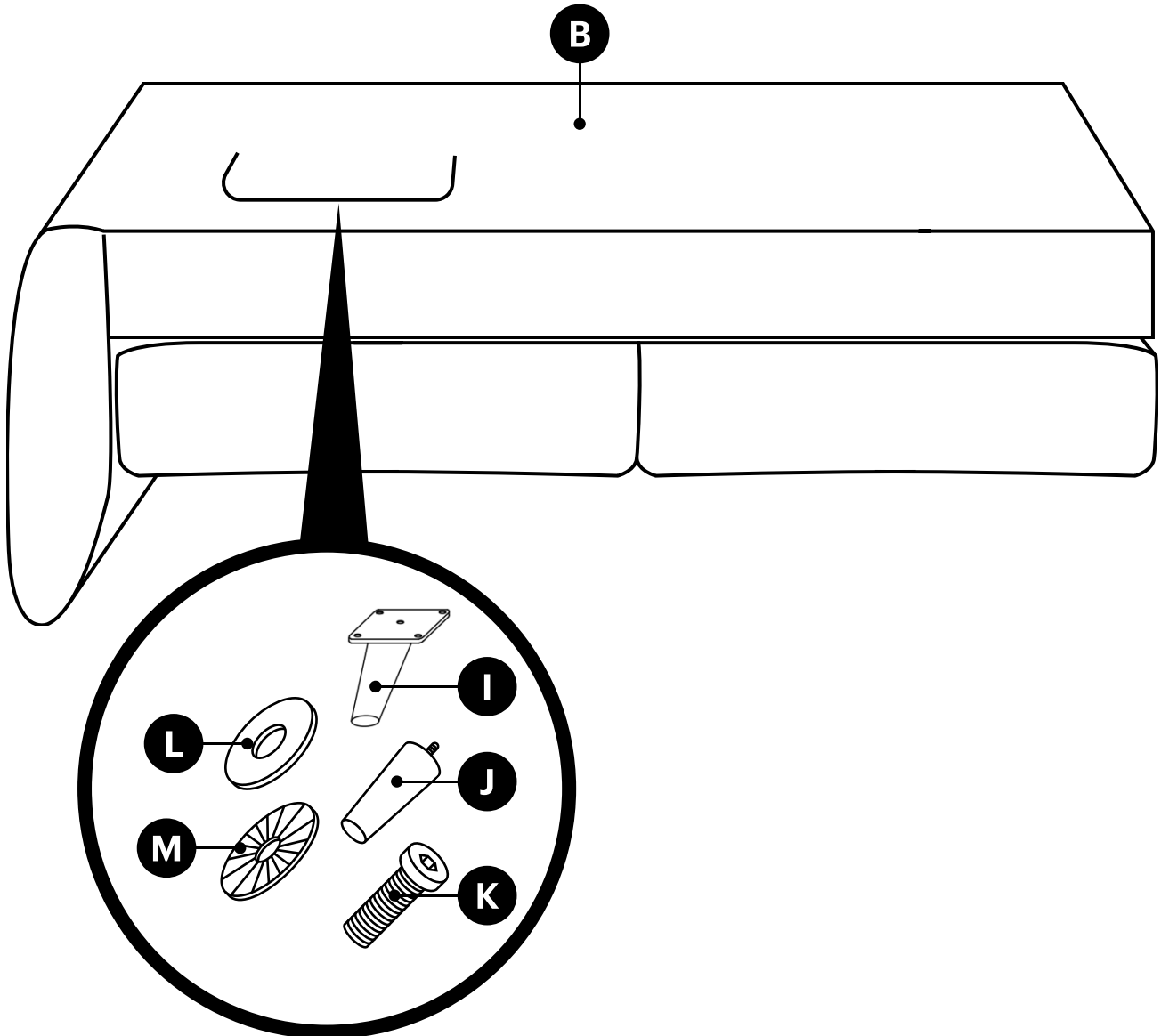
2 Attach the feet and support legs to the sofa as shown.





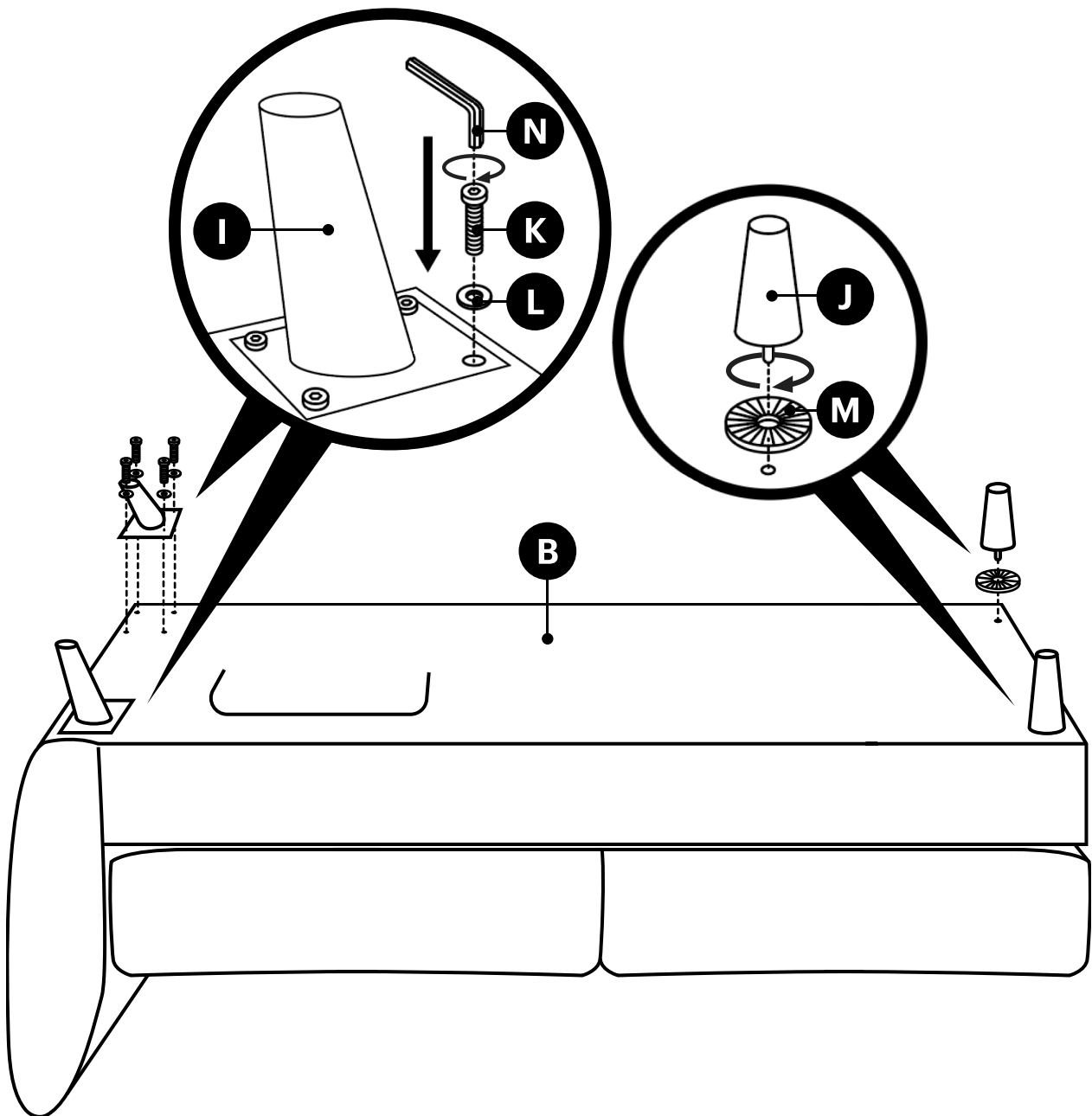
3 Right corner seat

Find the feet and accessories in the zipped pocket underneath the sofa.





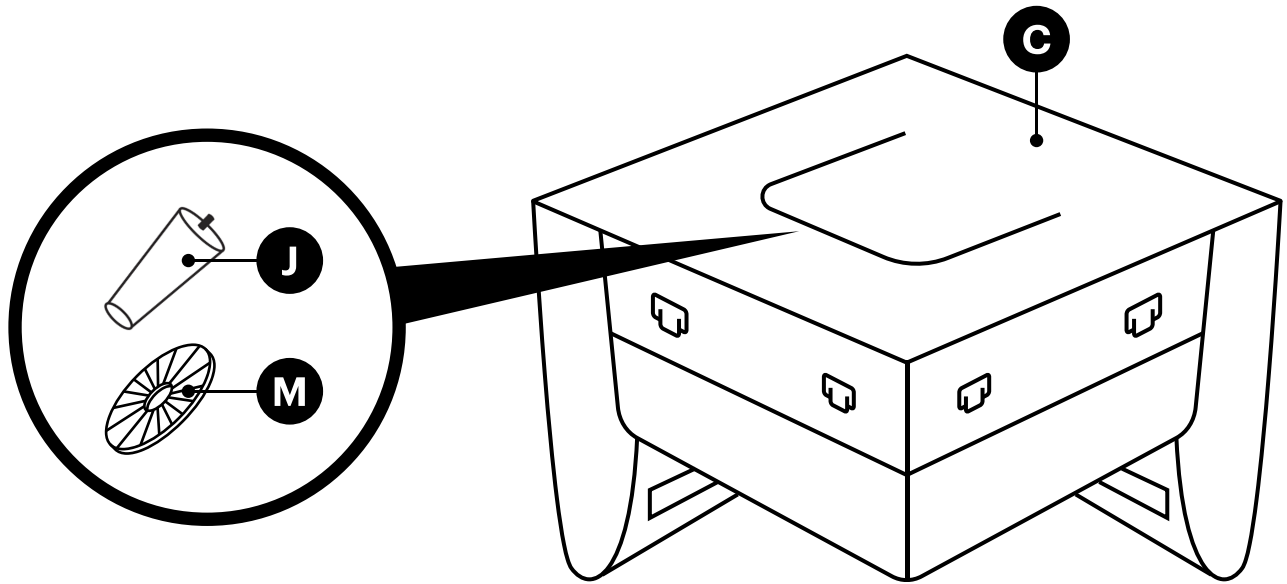
4 Attach the feet and support legs to the sofa as shown.



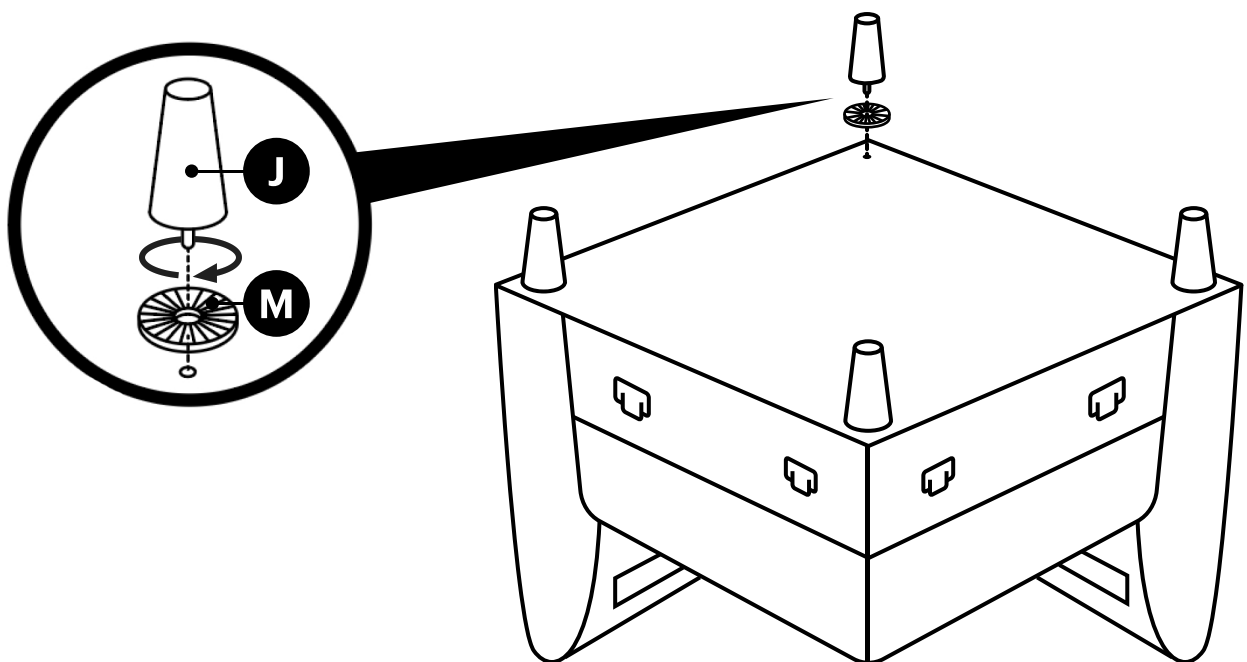


5 Centre seat wedge

Find the support legs and washers in the zipped pocket underneath the sofa.

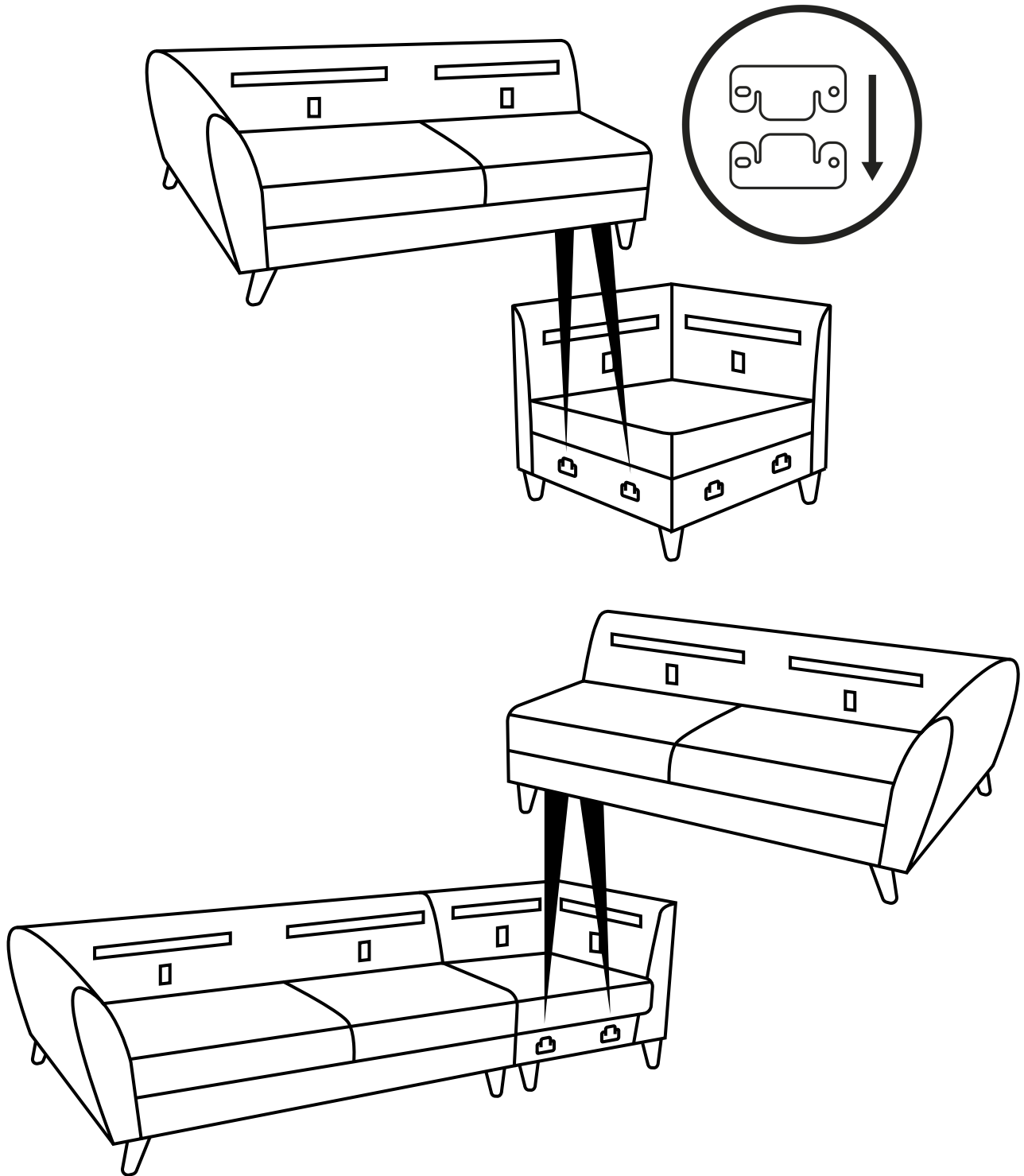


6 Attach the support legs to the sofa as shown.



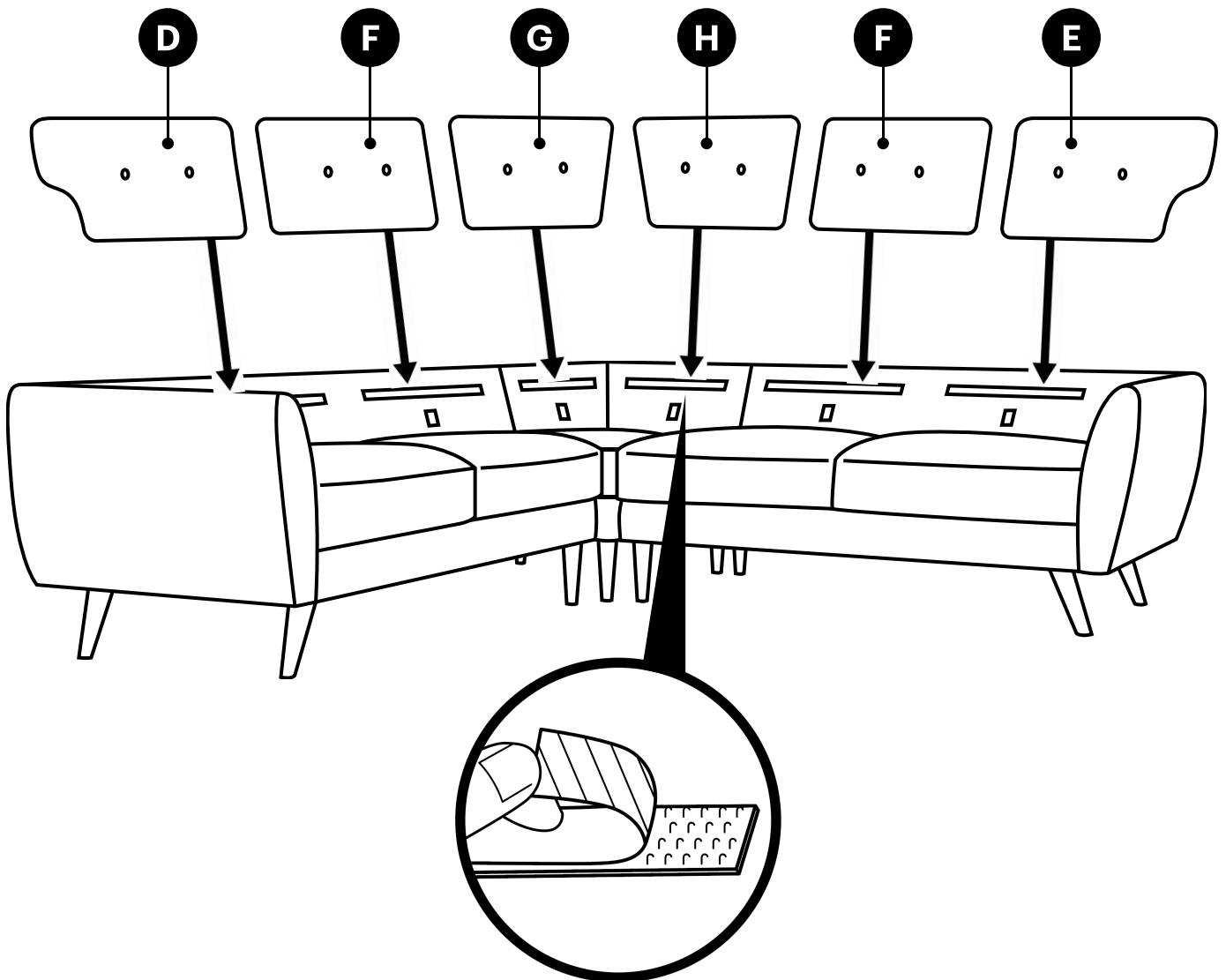


- 7** Join the left corner seat to the centre seat wedge, then join the right corner seat to the centre seat wedge.



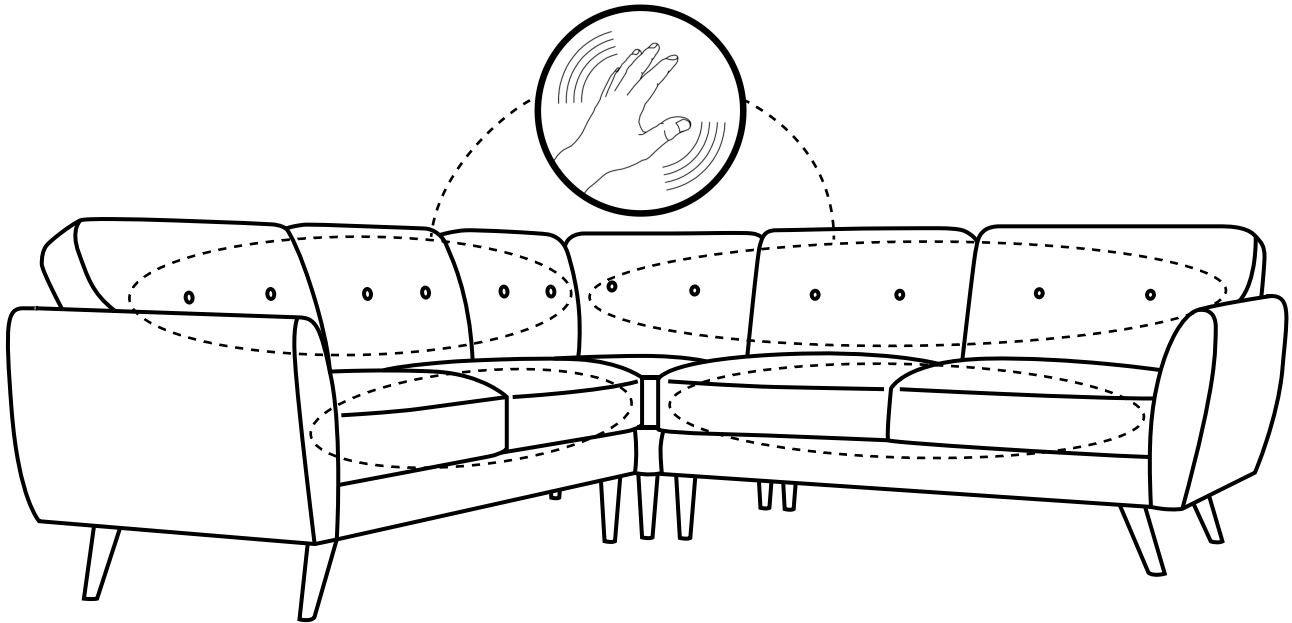


- 8** Attach the back cushions by removing the protective covers from the velcro strips.

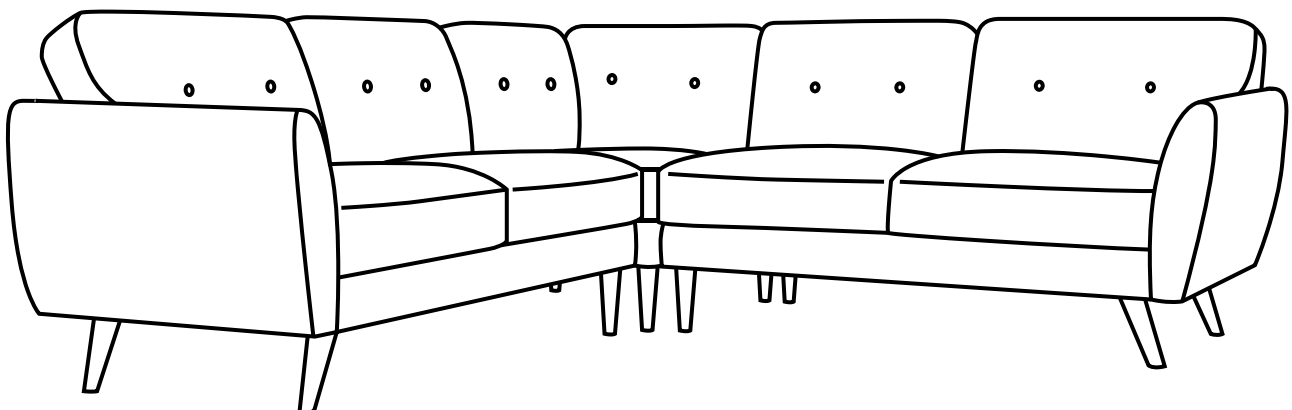




9 Pat and plump the surfaces to reshape and align the cushions as necessary.



10





— **Important information - please read before use**



Upholstery and appearance

- Every effort has been made to ensure each piece of furniture matches
- Upholstery can have a pile in the weave and look different from various angles and lighting – this is a characteristic of the material and not a fault
- Upholstery can have slight variations in colour and finish
- Creasing in seats and back cushions may appear over time and is a natural characteristic of the material

Cleaning your furniture

- Do not use household cleaning products, bleaches, solvent based cleaners, detergents, corrosives, scourers or abrasives, which can damage surfaces and upholstery
- Dust and vacuum your furniture on a weekly basis with the appropriate upholstery attachment
- Use a clean, soft, lint-free cloth slightly dampened with water to remove dirt or body oils
- For tougher stains, use a soft cloth with a little non-alkaline, non-detergent soap

Caring for your furniture

- Remove spills immediately – do not rub stains and spills, blot them first
- Avoid placing damp clothing, wet towels or printed newspapers directly on the upholstery
- Avoid placing hot cups or plates directly onto the furniture as this can damage the upholstery
- Avoid strong sunlight (such as through patio doors and windows), as this can cause discolouration, fading or surface degradation over time
- Avoid strong sunlight on chrome finishes as this can magnify the heat of the sun
- Avoid sitting on the edge of the cushions as this can cause distortion or permanent wear
- Do not sit on the arms
- Avoid sharp objects such as studs, buckles, jewellery, heels, toys or a pet's claws on the upholstery as this can cause damage
- Greasy and oily hair products can damage upholstery
- Light-coloured upholstery can be at risk of discolouration due to dye transfer from dark or strong-coloured clothing, cushions and throws

Safety notes for recliners

- Ensure the footrest is returned correctly and the mechanism clicks back into place
- Do not put fingers down the side of the mechanism
- Do not sit on the footrest

To avoid structural damage

- Regularly tighten the bolts to avoid damage and maintain stability and strength

This sofa is for indoor, residential use only.

For more information and support, visit help.furniturechoice.co.uk