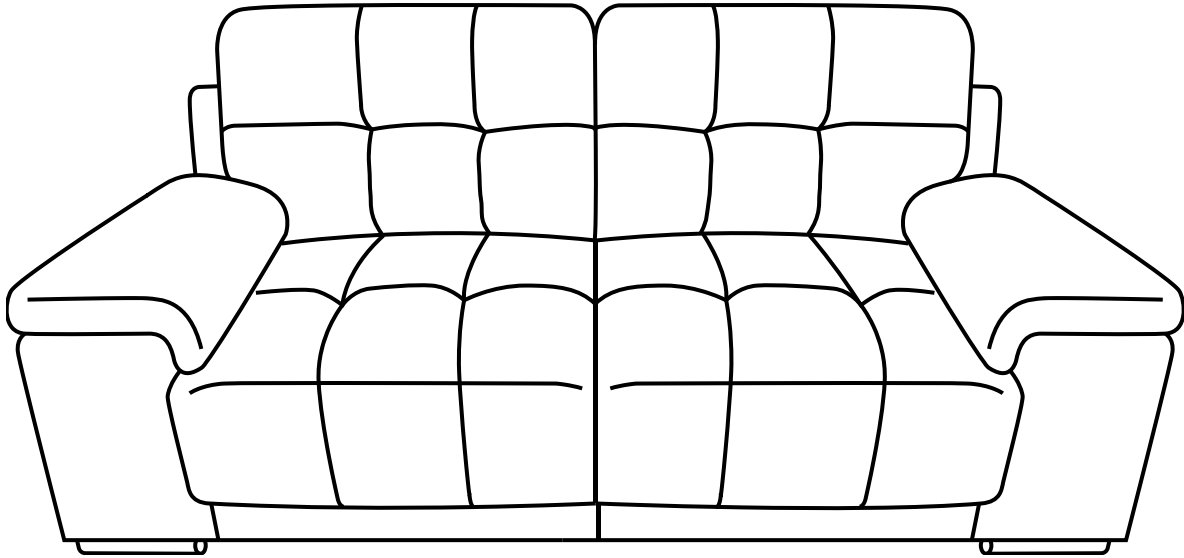




— Thank you for buying the Kansas 3 Seater Sofa



Before you start:

Unpack carefully

- Avoid using sharp objects that might cause damage
- Be careful not to dispose of the enclosed assembly kit
- Please dispose of the packaging responsibly

Before and during assembly

- This sofa requires 2 people to assemble
- Make sure all items are accounted for and clearly laid out before starting
- Make sure you have enough space to assemble the sofa safely
- Assemble the sofa where it will be placed to avoid moving unnecessarily
- Place the parts on a soft and flat surface to avoid damage
- Make sure backrests are slotted in evenly and not at an angle
- Do not use power tools or overtighten any fittings as this can cause damage
- If the upholstery is creased, plump the cushions and allow the sofa to settle at room temperature
- Carefully trim off any loose threads

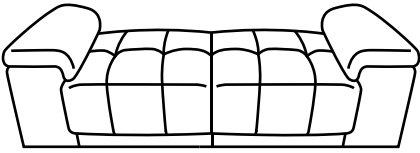
Caution

- Do not stand or jump on the sofa
- Keep small parts, plastic bags and film away from children



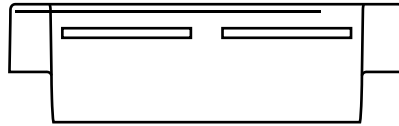
— In the box

A x 1



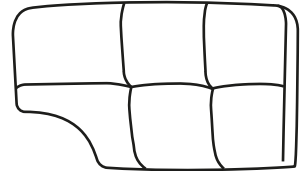
Sofa Frame

B x 1



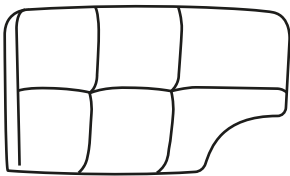
Backrest

C x 1



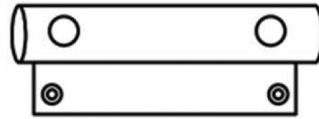
Left Back Cushion

D x 1



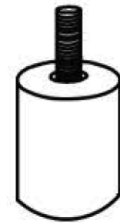
Right Back Cushion

E x 4



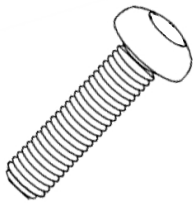
Foot

F x 1



Support Leg

G x 8



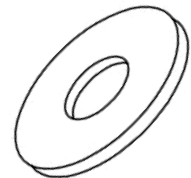
Bolt

H x 8



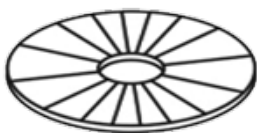
Spring Washer

I x 8



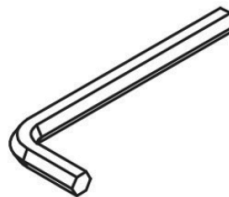
Flat Washer

J x 1



Plastic Washer

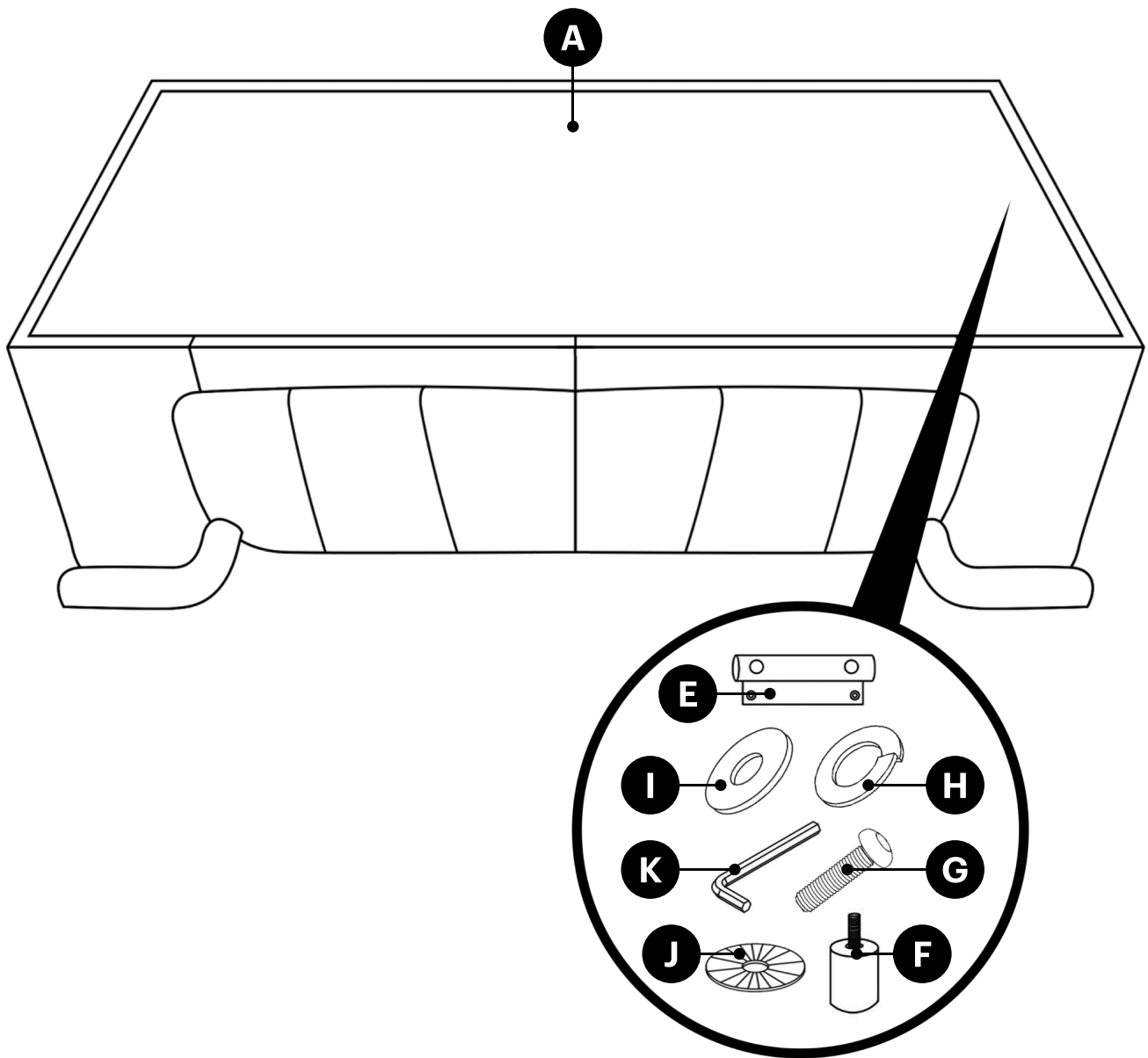
K x 1



Allen Key

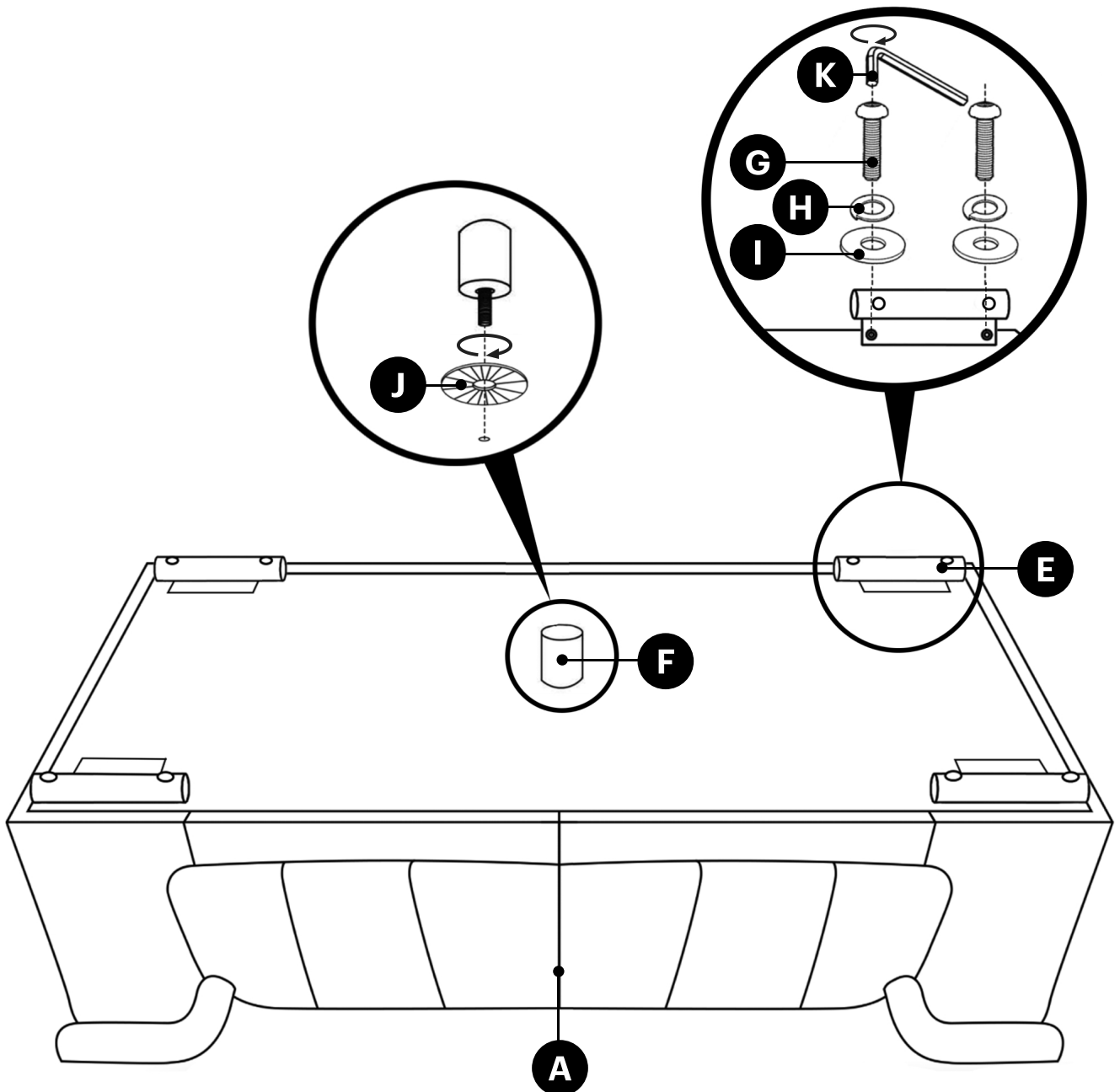


1 Find the feet and accessories underneath the sofa.





2 Attach the feet and support leg to the sofa as shown.

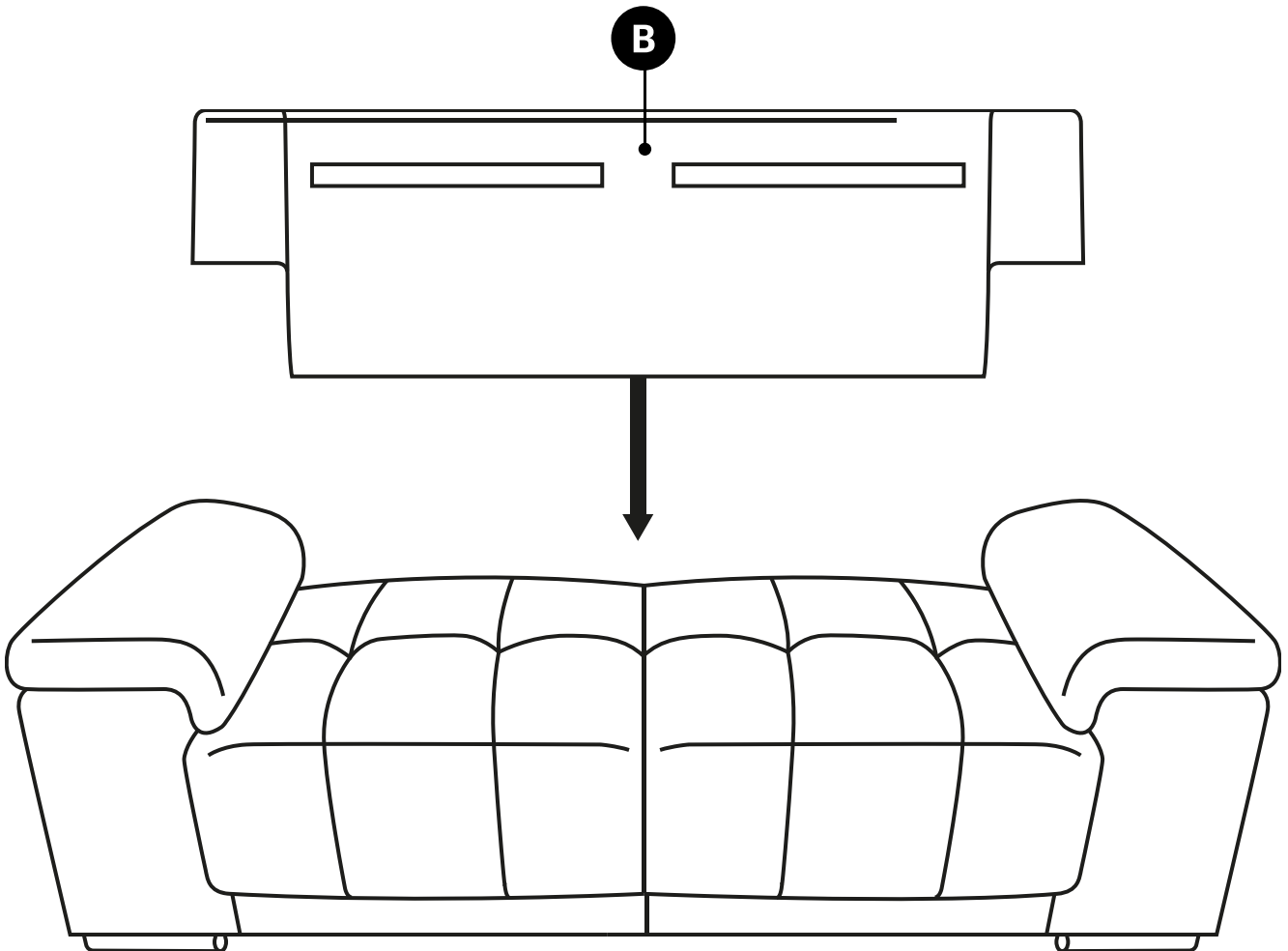




3 2 persons required

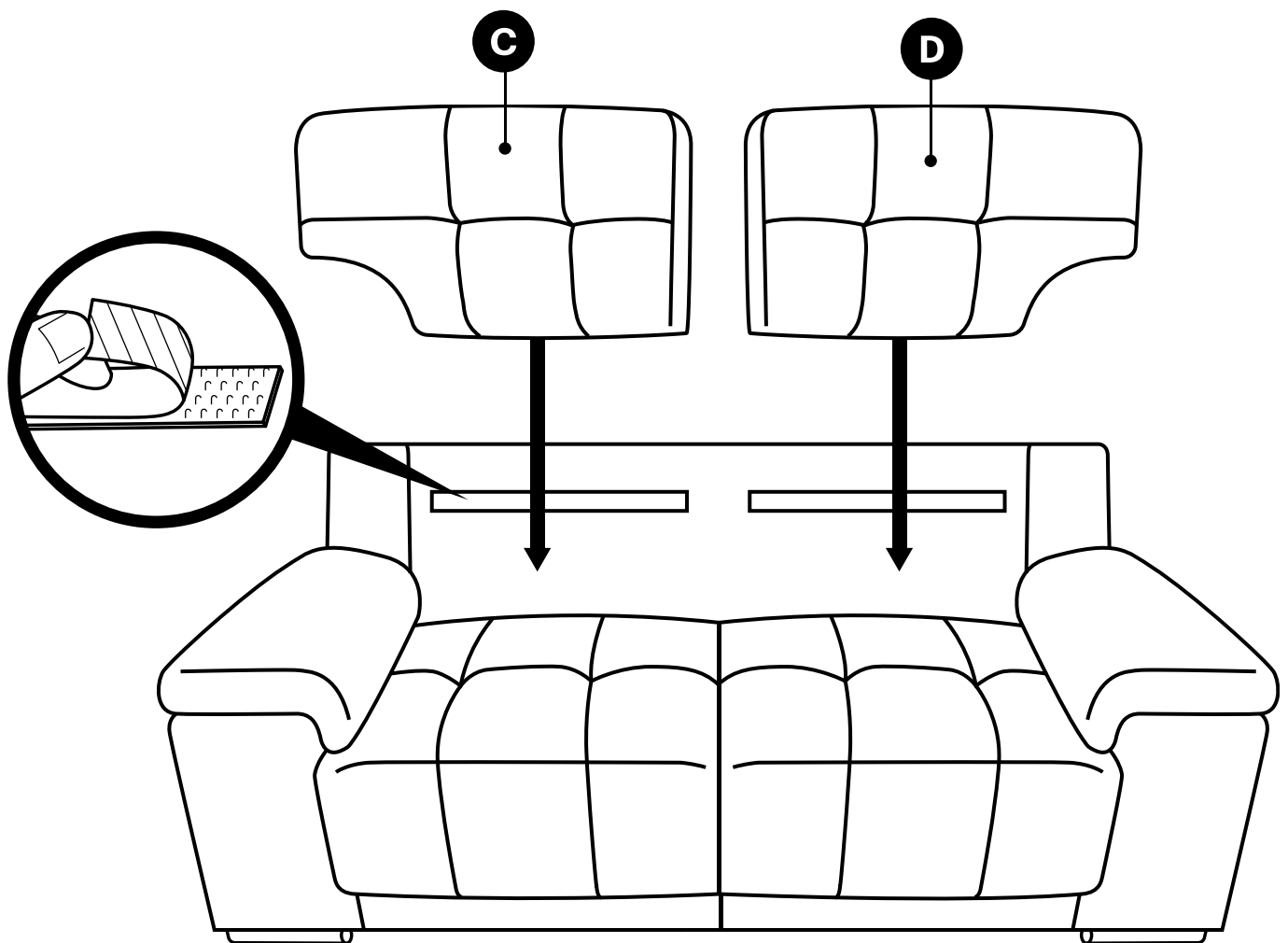


Slot the backrest into the sofa frame as shown.



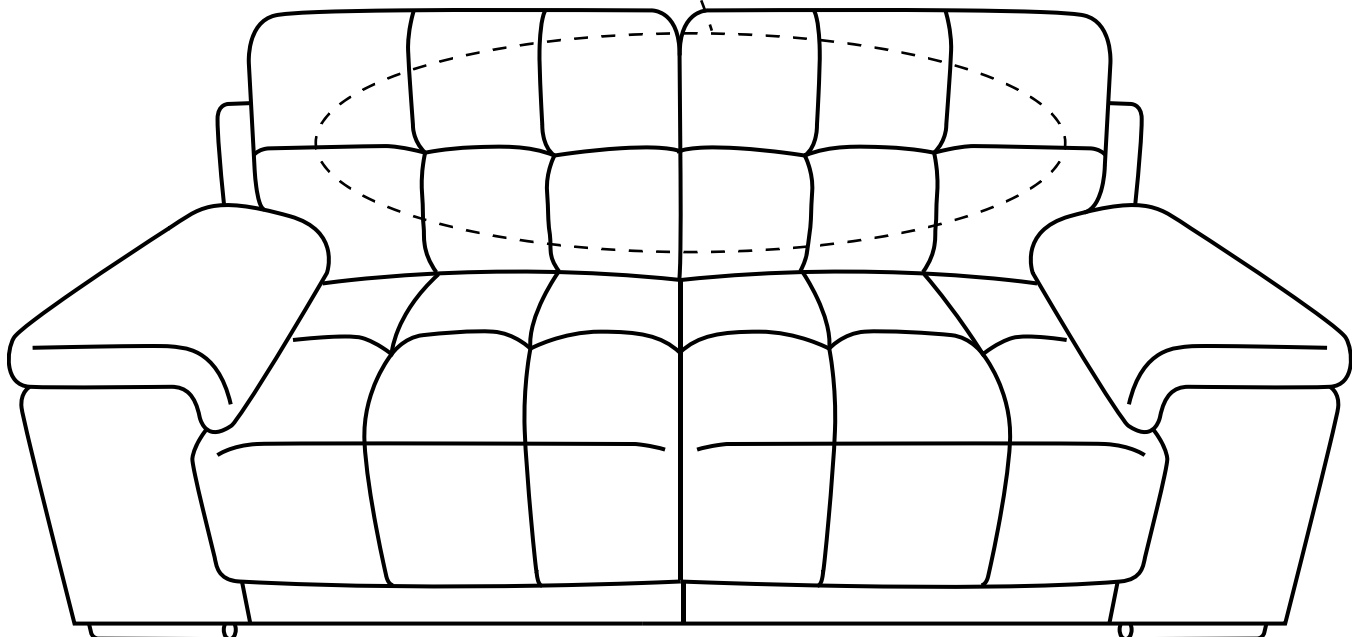


- 4** Remove the protective covers from the velcro strips and attach the back cushions.



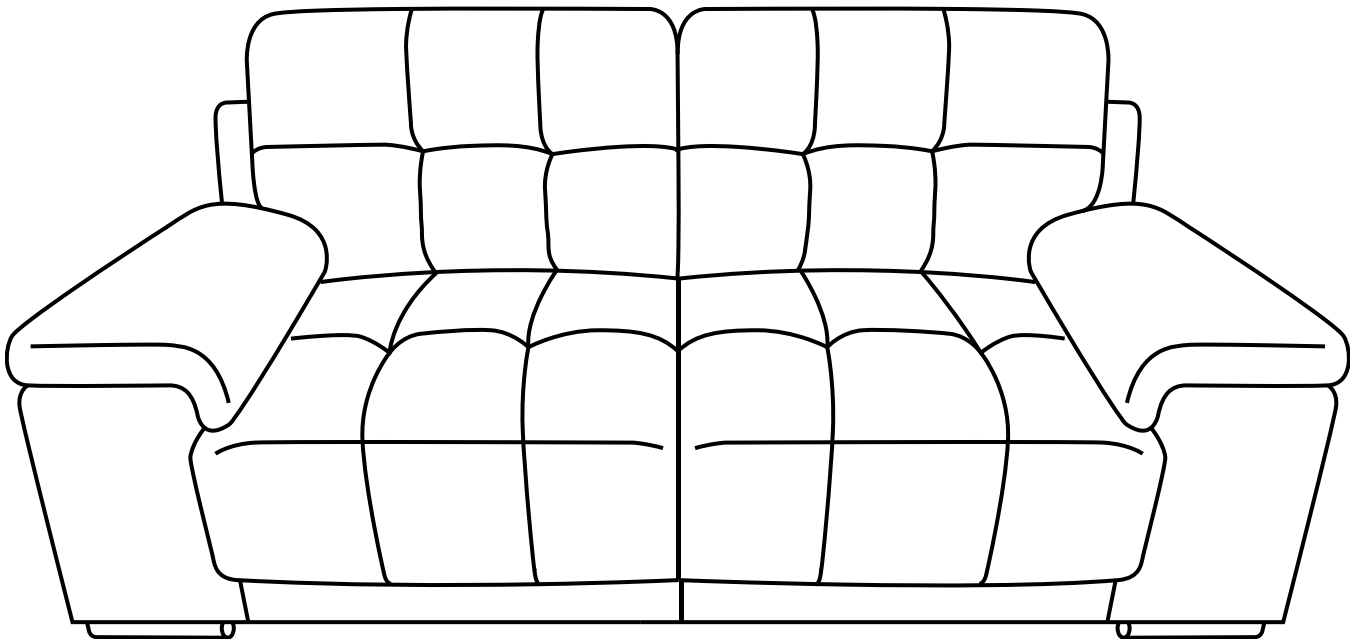


- 5** Pat and plump the surfaces to reshape and align the cushions as necessary.





6





— About the Kansas 3 Seater Sofa

Upholstery and appearance

- Every effort has been made to ensure each piece of furniture matches
- Upholstery can have a pile in the weave and look different from various angles and lighting – this is a characteristic of the material and not a fault
- Upholstery can have slight variations in colour and finish
- Creasing in seats and back cushions may appear over time and is a natural characteristic of the material

Caring for your furniture

- This sofa is for indoor, residential use only
- Excessive heat or strong sunlight (such as through patio doors and windows), can cause discolouration, fading and surface degradation over time
- Avoid strong sunlight as chrome finishes can magnify the heat of the sun
- Avoid sitting on the edge of the cushions as this can cause distortion or permanent wear
- Do not sit on the arms
- Avoid sharp objects such as studs, buckles, jewellery, heels, toys or a pet's claws on the upholstery as this can cause damage
- Greasy and oily hair products can damage upholstery
- Light coloured upholstery can be at risk of discolouration due to dye transfer from dark or strong coloured clothing, cushions and throws
- Avoid placing damp clothing, wet towels or printed newspapers directly on the upholstery
- Avoid placing hot cups or plates directly onto the furniture as this can damage the upholstery
- Remove spills immediately – do not rub stains and spills, blot them first

Cleaning your furniture

- Dust and vacuum your furniture on a weekly basis with the appropriate upholstery attachment
- Use a clean, soft, lint-free cloth slightly dampened with water to remove dirt or body oils
- For tougher stains, use a soft cloth with a little non-alkaline, non-detergent soap
- Do not use household cleaning products, bleaches, solvent based cleaners, detergents, corrosives, scourers or abrasives which can damage surfaces and upholstery

Safety notes for recliners

- Ensure the footrest is returned correctly and the mechanism clicks back into place
- Do not put fingers down the side of the mechanism
- Do not sit on the footrest

For more information and support, visit help.furniturechoice.co.uk