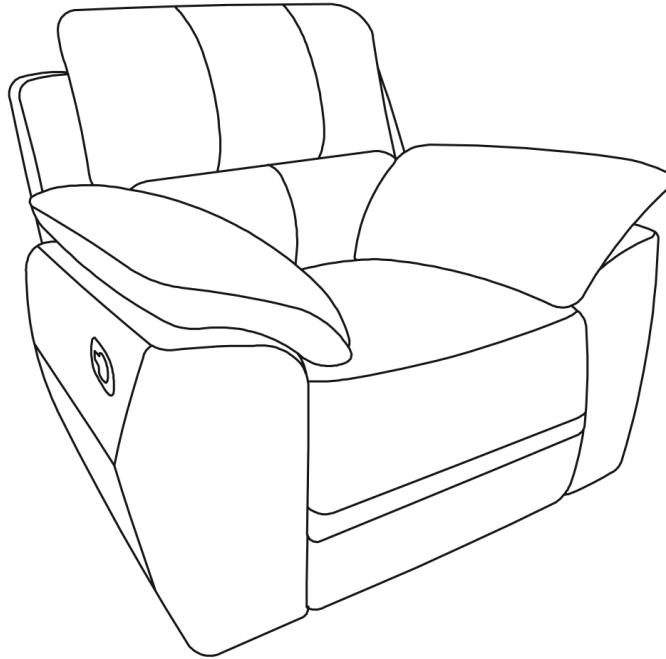




— Thank you for buying the Seville Recliner Armchair



Before you start:

Unpack carefully

- Avoid using sharp objects that might cause damage
- Be careful not to dispose of the enclosed assembly kit
- Please dispose of the packaging responsibly

Before and during assembly

- This armchair requires 2 people to assemble
- Make sure all items are accounted for and clearly laid out before starting
- Make sure you have enough space to assemble the armchair safely
- Assemble the armchair where it will be placed to avoid moving unnecessarily
- Place the parts on a armchair and flat surface to avoid damage
- Make sure backrests are slotted in evenly and not at an angle
- Do not use power tools or overtighten any fittings as this can cause damage
- If the upholstery is creased, plump the cushions and allow the armchair to settle at room temperature
- Carefully trim off any loose threads

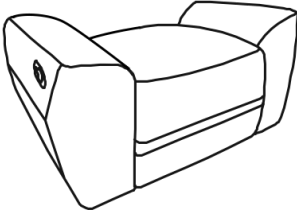
Caution

- Do not stand or jump on the armchair
- Keep small parts, plastic bags and film away from children



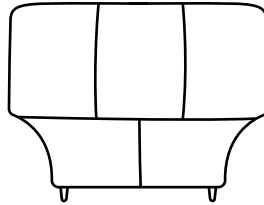
— In the box

A x 1



Seat Frame

B x 1



Backrest

C x 1



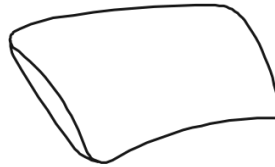
Left Shoulder

D x 1



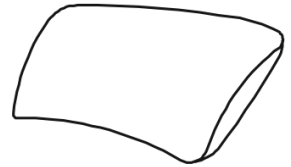
Right Shoulder

E x 1



Left Arm Cushion

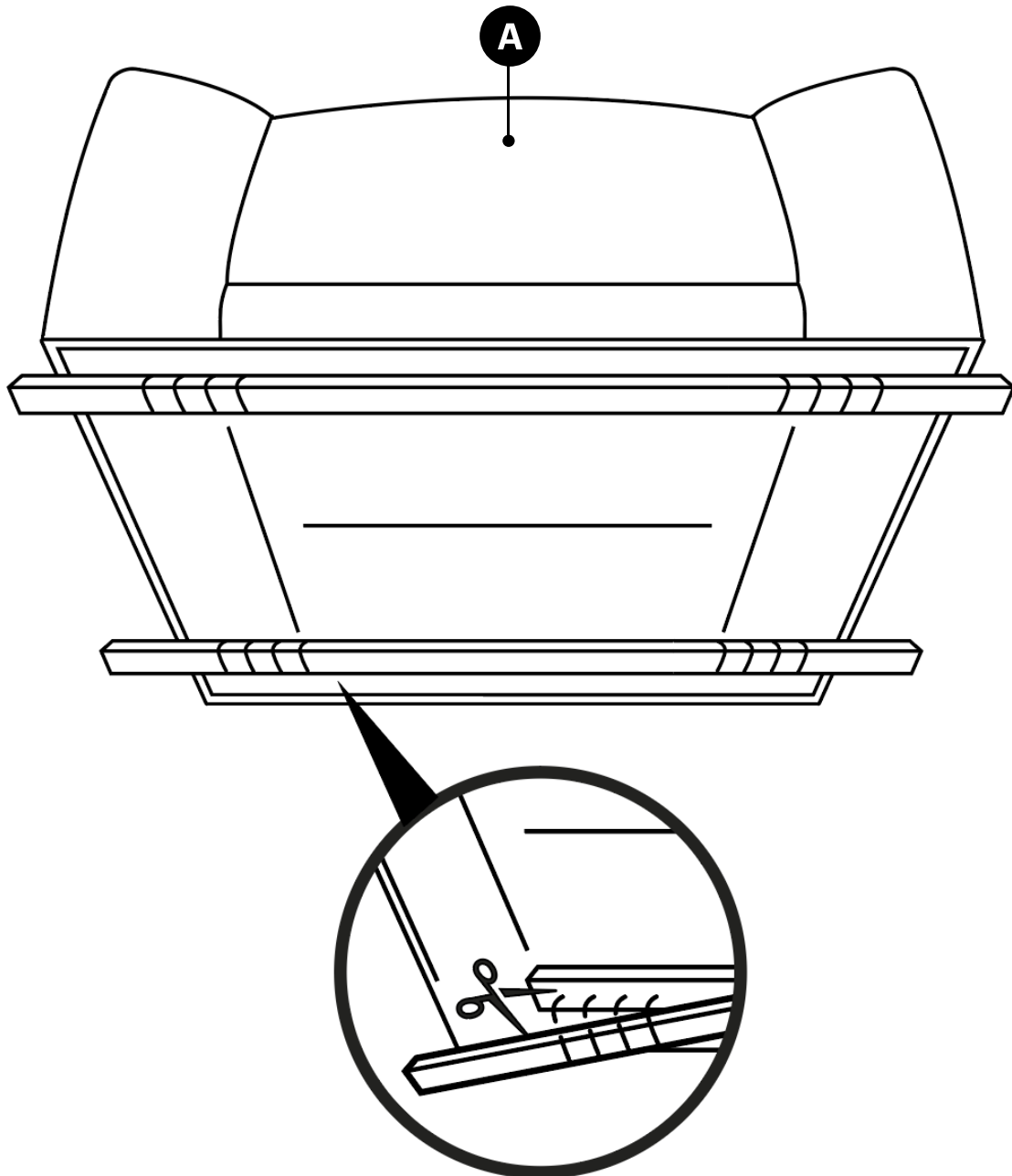
F x 1



Right Arm Cushion

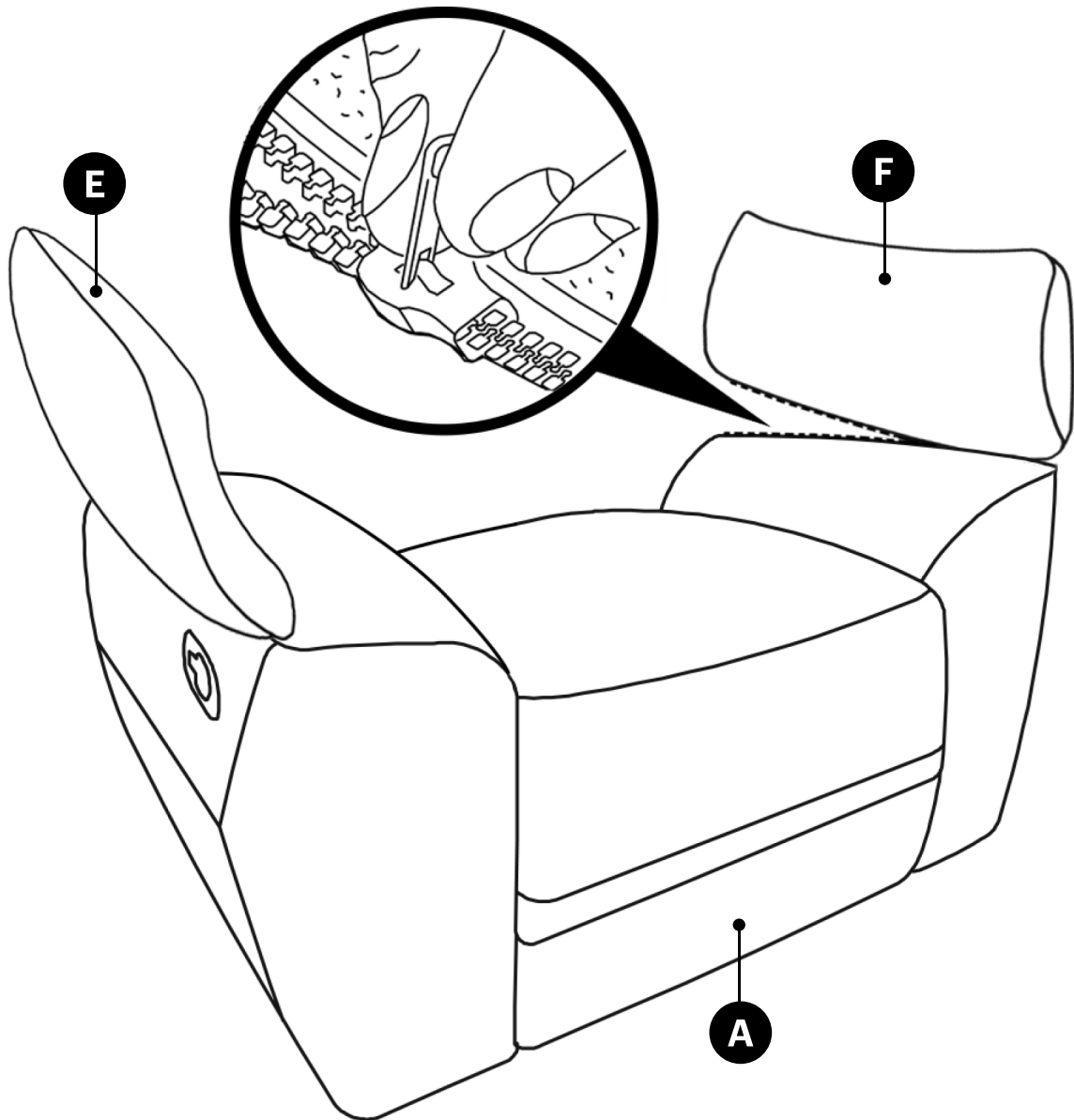


- 1** Remove the wooden protectors from underneath the sofa.



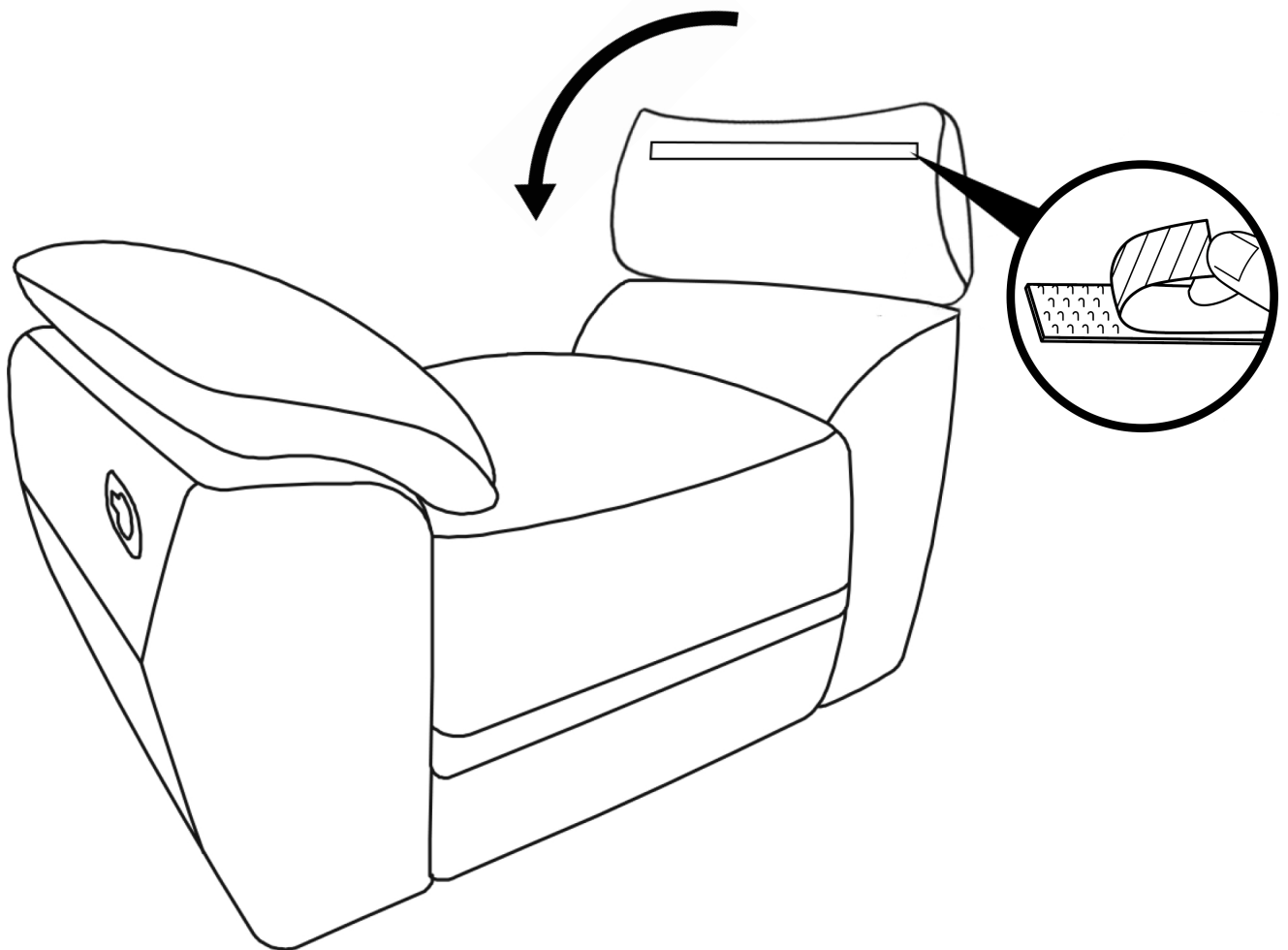


2 Attach the arm cushions to the sofa using the zips as shown.



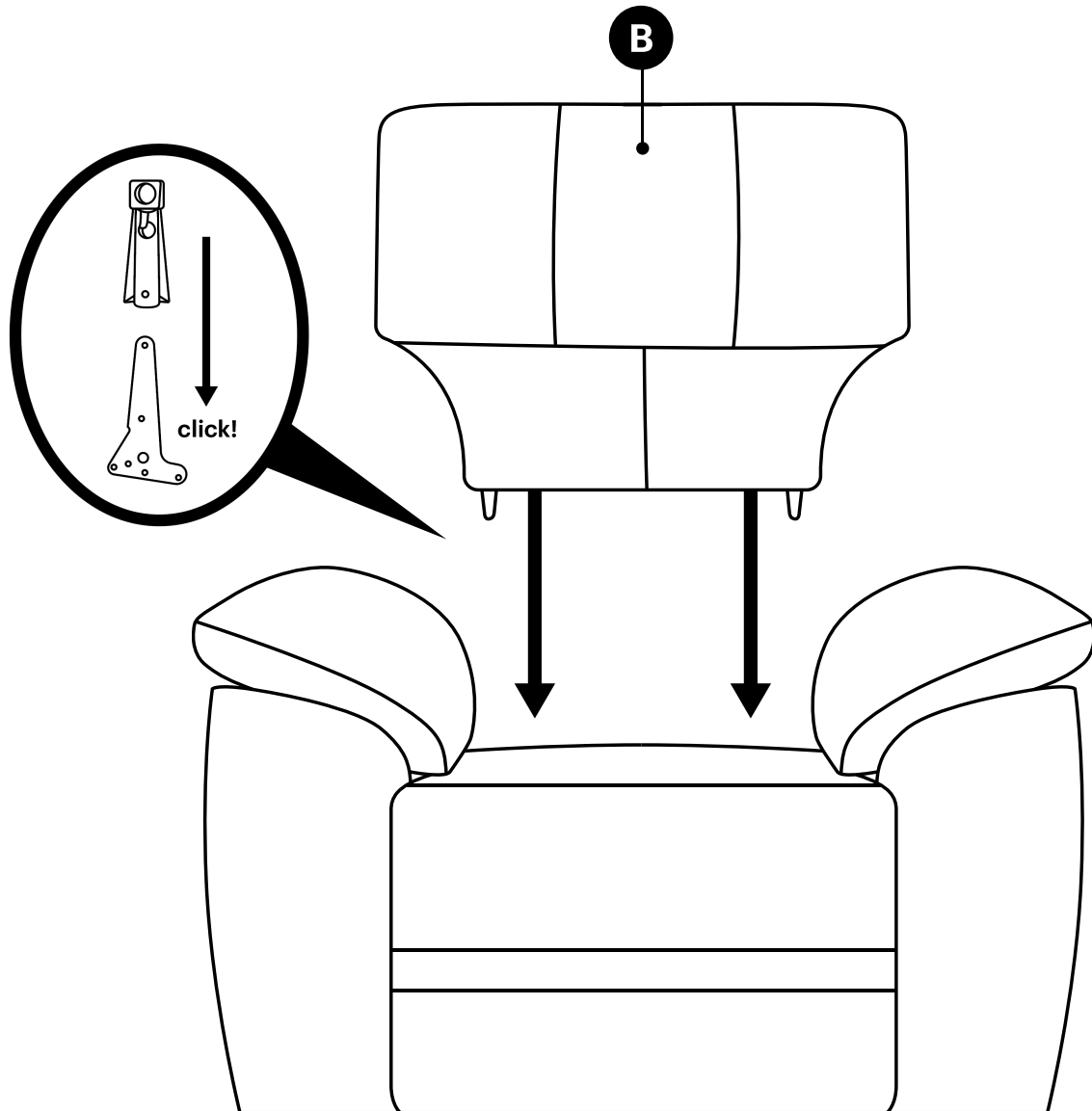


- 3** Remove the protective velcro covers then flip the arm cushions inwards and secure to the velcro strips.



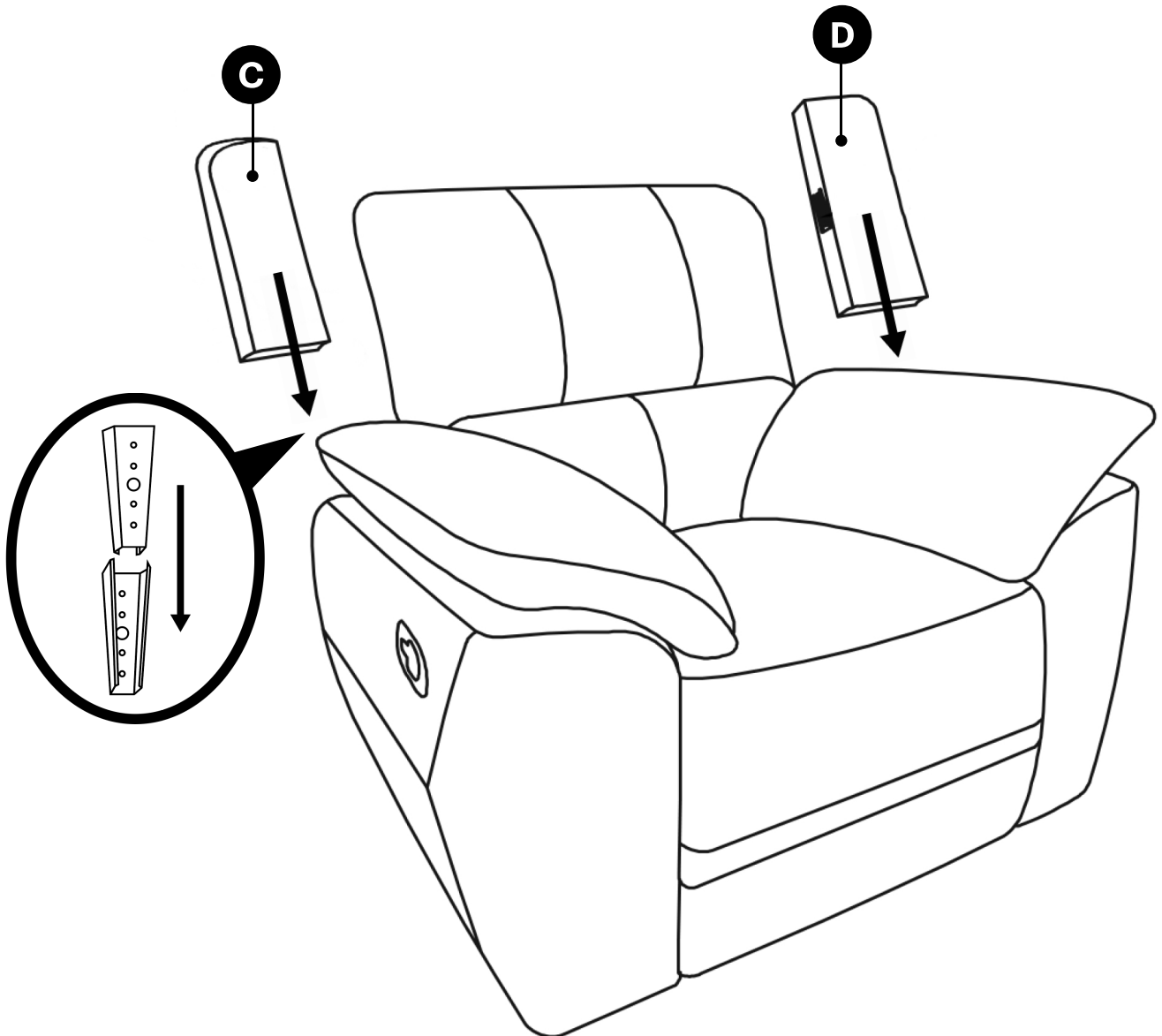


- 4** Make sure the backrest is aligned to the brackets, then push down evenly and firmly until it clicks into place.



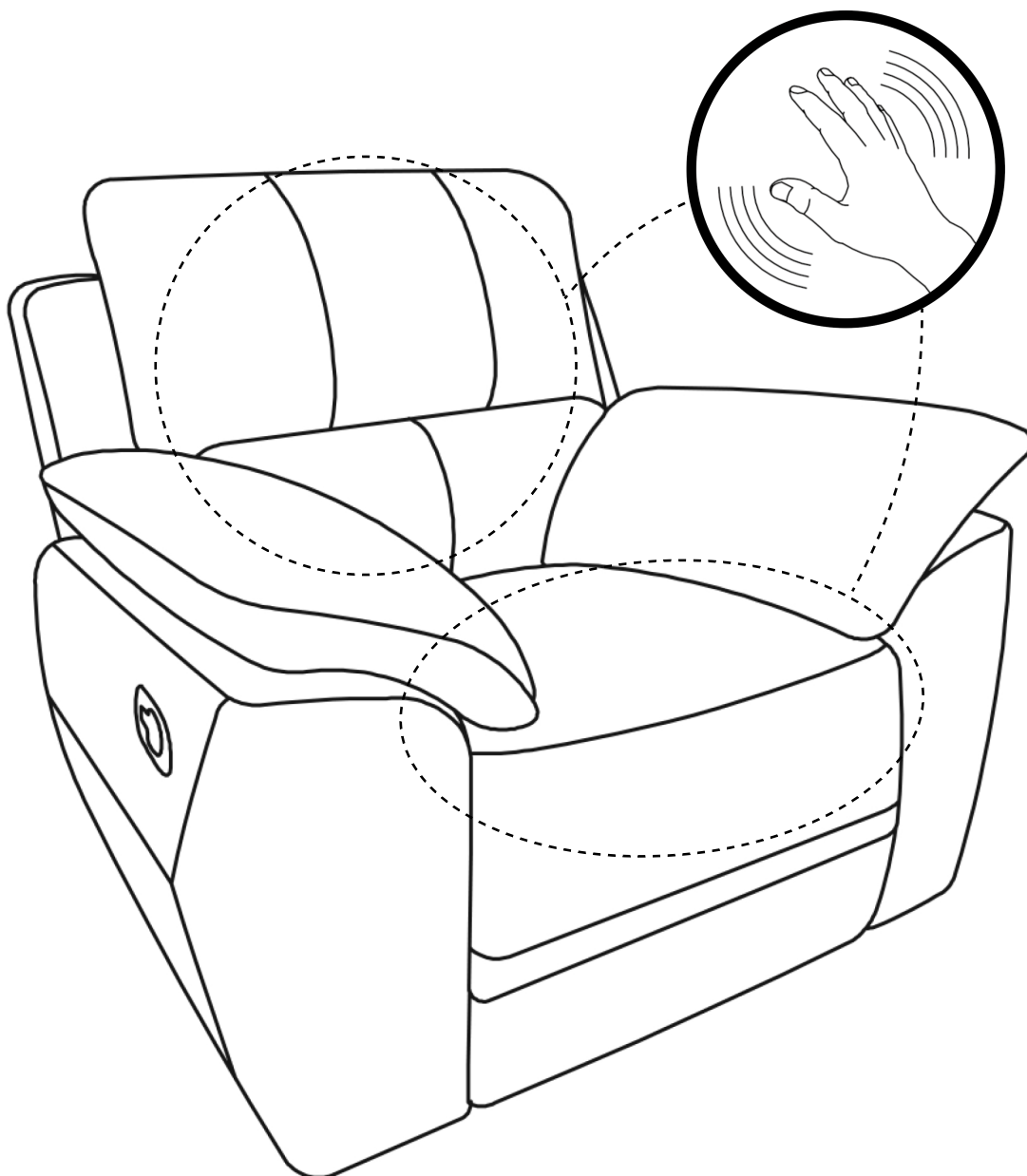


5 Connect the shoulders by slotting them into the brackets.



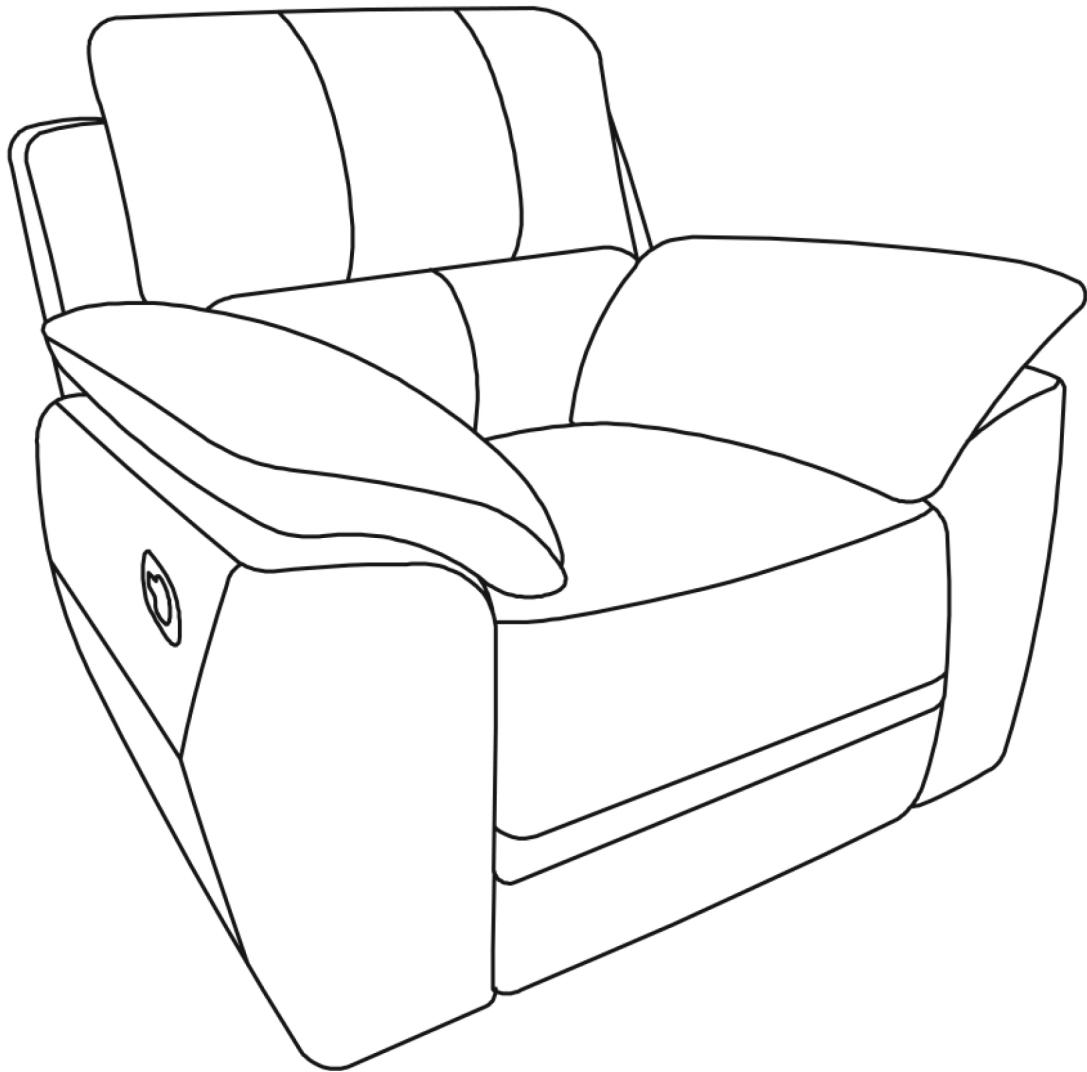


- 6** Pat and plump the surfaces to reshape and align the cushions as necessary.





7





— **Important information - please read before use**



Upholstery and appearance

- Every effort has been made to ensure each piece of furniture matches
- Upholstery can have a pile in the weave and look different from various angles and lighting – this is a characteristic of the material and not a fault
- Upholstery can have slight variations in colour and finish
- Creasing in seats and back cushions may appear over time and is a natural characteristic of the material

Cleaning your furniture

- Do not use household cleaning products, bleaches, solvent based cleaners, detergents, corrosives, scourers or abrasives, which can damage surfaces and upholstery
- Dust and vacuum your furniture on a weekly basis with the appropriate upholstery attachment
- Use a clean, soft, lint-free cloth slightly dampened with water to remove dirt or body oils
- For tougher stains, use a soft cloth with a little non-alkaline, non-detergent soap

Caring for your furniture

- Remove spills immediately – do not rub stains and spills, blot them first
- Avoid placing damp clothing, wet towels or printed newspapers directly on the upholstery
- Avoid placing hot cups or plates directly onto the furniture as this can damage the upholstery
- Avoid strong sunlight (such as through patio doors and windows), as this can cause discolouration, fading or surface degradation over time
- Avoid strong sunlight on chrome finishes as this can magnify the heat of the sun
- Avoid sitting on the edge of the cushions as this can cause distortion or permanent wear
- Do not sit on the arms
- Avoid sharp objects such as studs, buckles, jewellery, heels, toys or a pet's claws on the upholstery as this can cause damage
- Greasy and oily hair products can damage upholstery
- Light-coloured upholstery can be at risk of discolouration due to dye transfer from dark or strong-coloured clothing, cushions and throws

Safety notes for recliners

- Ensure the footrest is returned correctly and the mechanism clicks back into place
- Do not put fingers down the side of the mechanism
- Do not sit on the footrest

To avoid structural damage

- Regularly tighten the bolts to avoid damage and maintain stability and strength

This armchair is for indoor, residential use only.

For more information and support, visit help.furniturechoice.co.uk