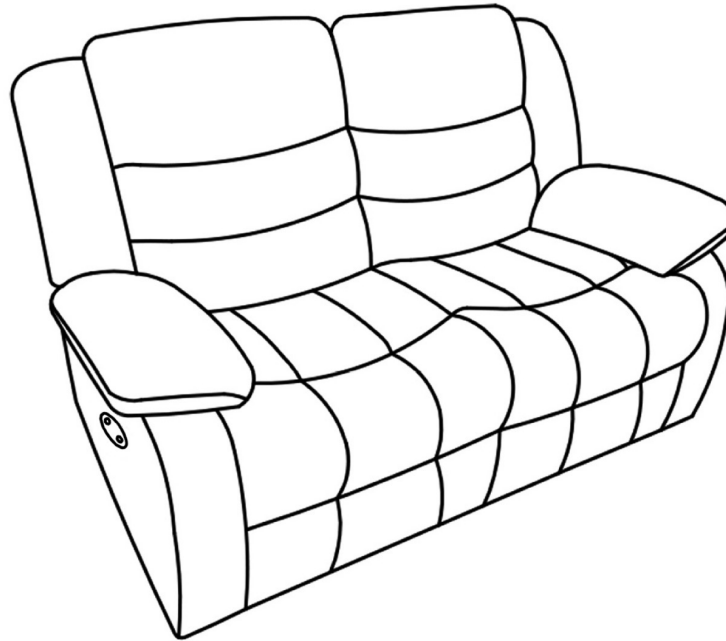




— Thank you for buying the Sorrento 2 Seater Electric Recliner Sofa



**Before you start:**

**Unpack carefully**

- Avoid using sharp objects that might cause damage
- Be careful not to dispose of the enclosed assembly kit
- Please dispose of the packaging responsibly
- Carefully trim off any loose threads on the sofa

**Before and during assembly**

- This sofa requires 2 people to assemble
- Make sure all items are accounted for and clearly laid out before starting
- Make sure you have enough space to assemble the sofa safely
- Assemble the sofa where it will be placed to avoid moving unnecessarily
- Place the parts on a soft and flat surface to avoid damage
- Make sure backrests are slotted in evenly and not at an angle
- Do not use power tools or overtighten any fittings as this can cause damage
- If the upholstery is creased, plump the cushions and allow the sofa to settle at room temperature

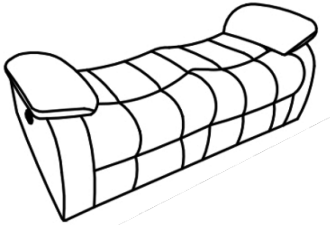
**Caution**

- Do not stand or jump on the sofa
- Keep small parts, plastic bags and film away from children



**— In the box**

**A** x 1



Sofa Frame

**B** x 1



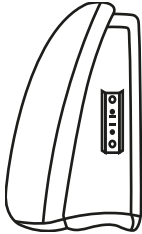
Left Backrest

**C** x 1



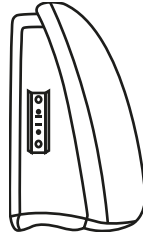
Right Backrest

**D** x 1



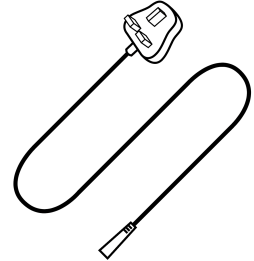
Left Shoulder

**E** x 1



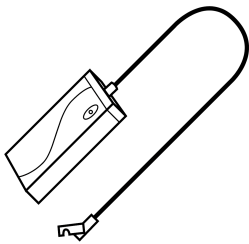
Right Shoulder

**F** x 1



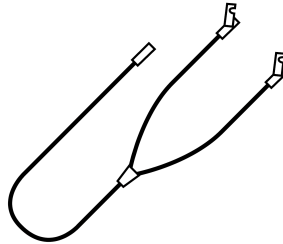
Plug

**G** x 1



Transformer

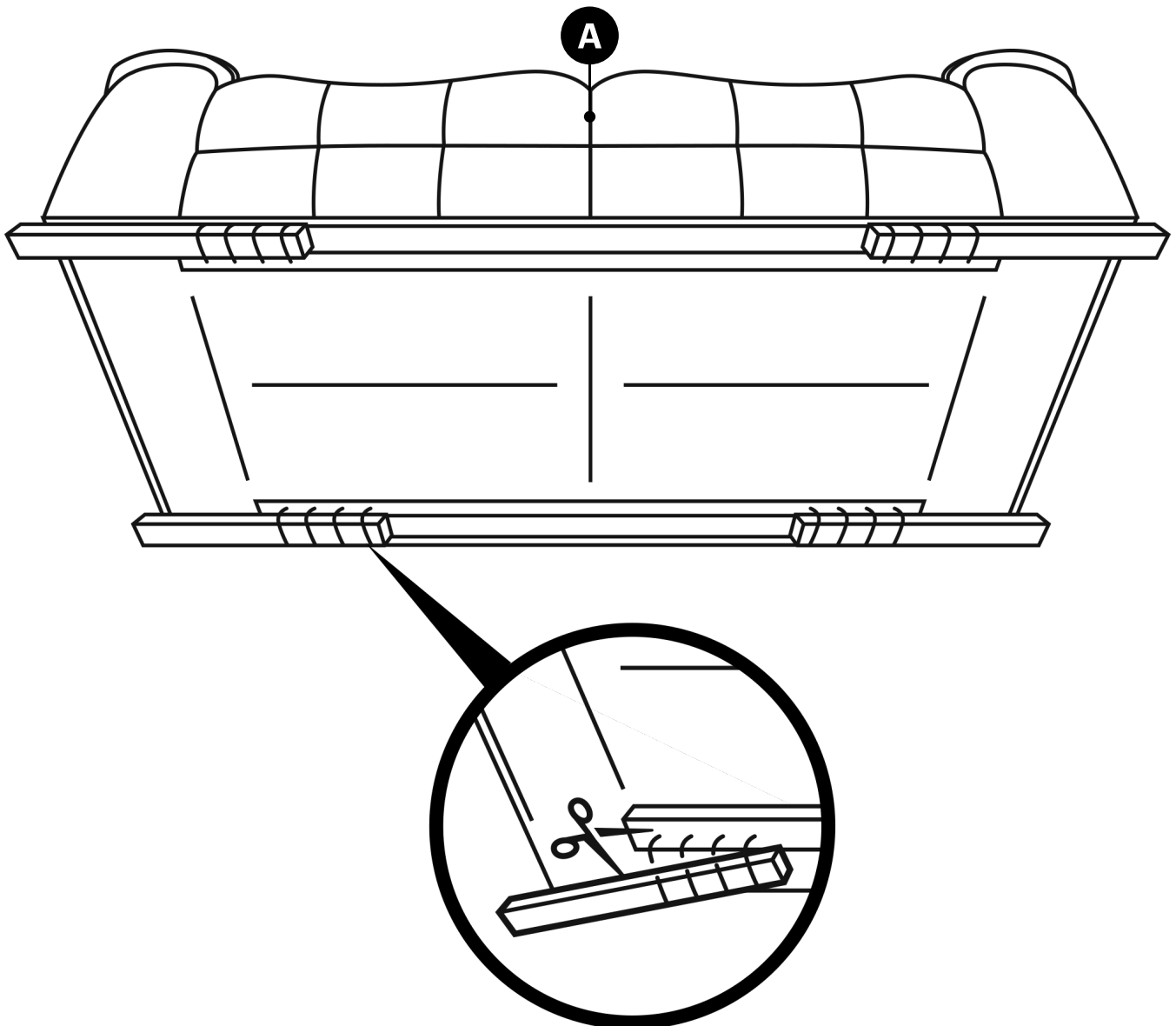
**H** x 1



Cable

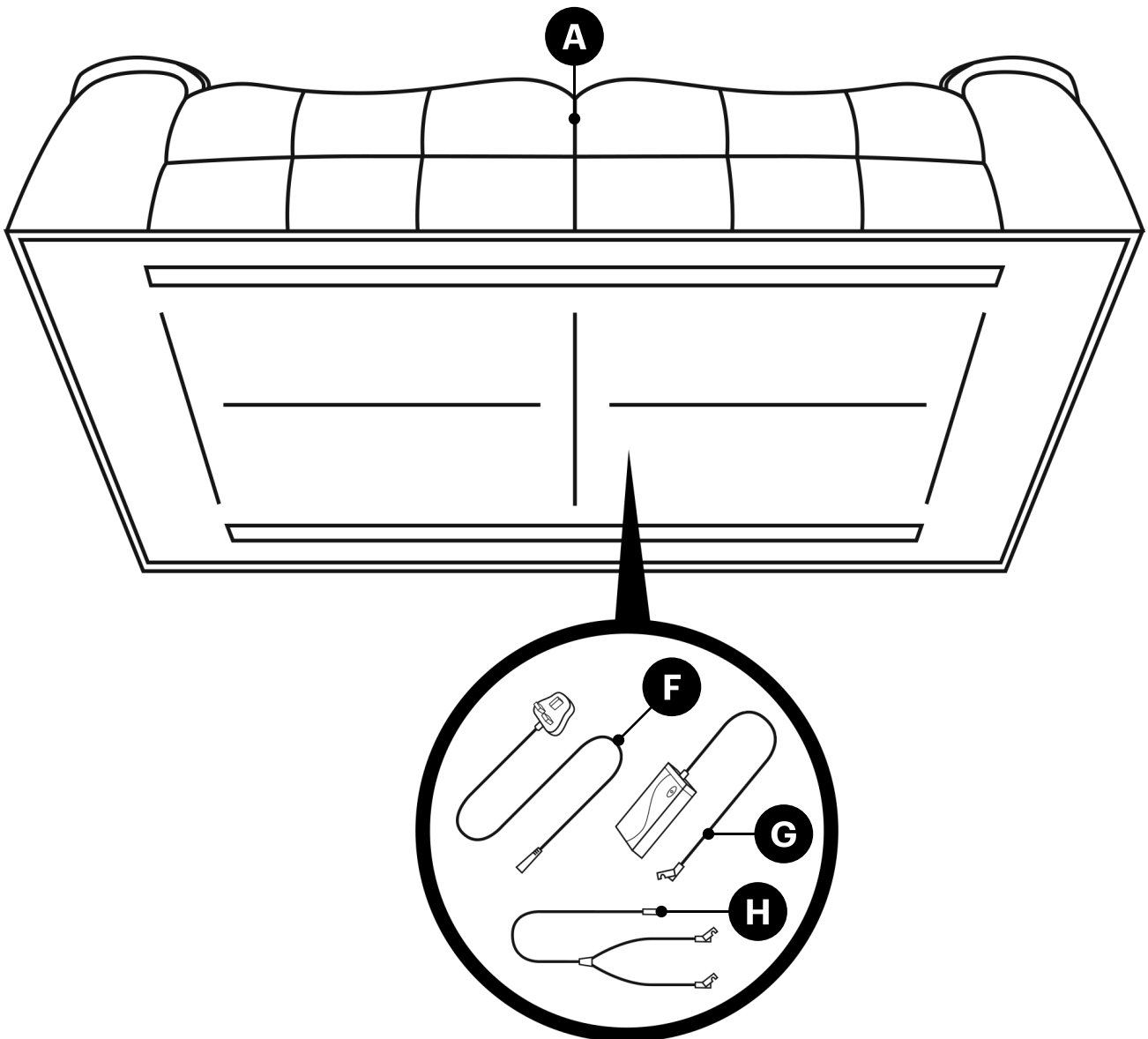


- 1** Remove the wooden protectors from underneath the sofa.





**2** Remove the power cable and accessories from underneath the sofa.

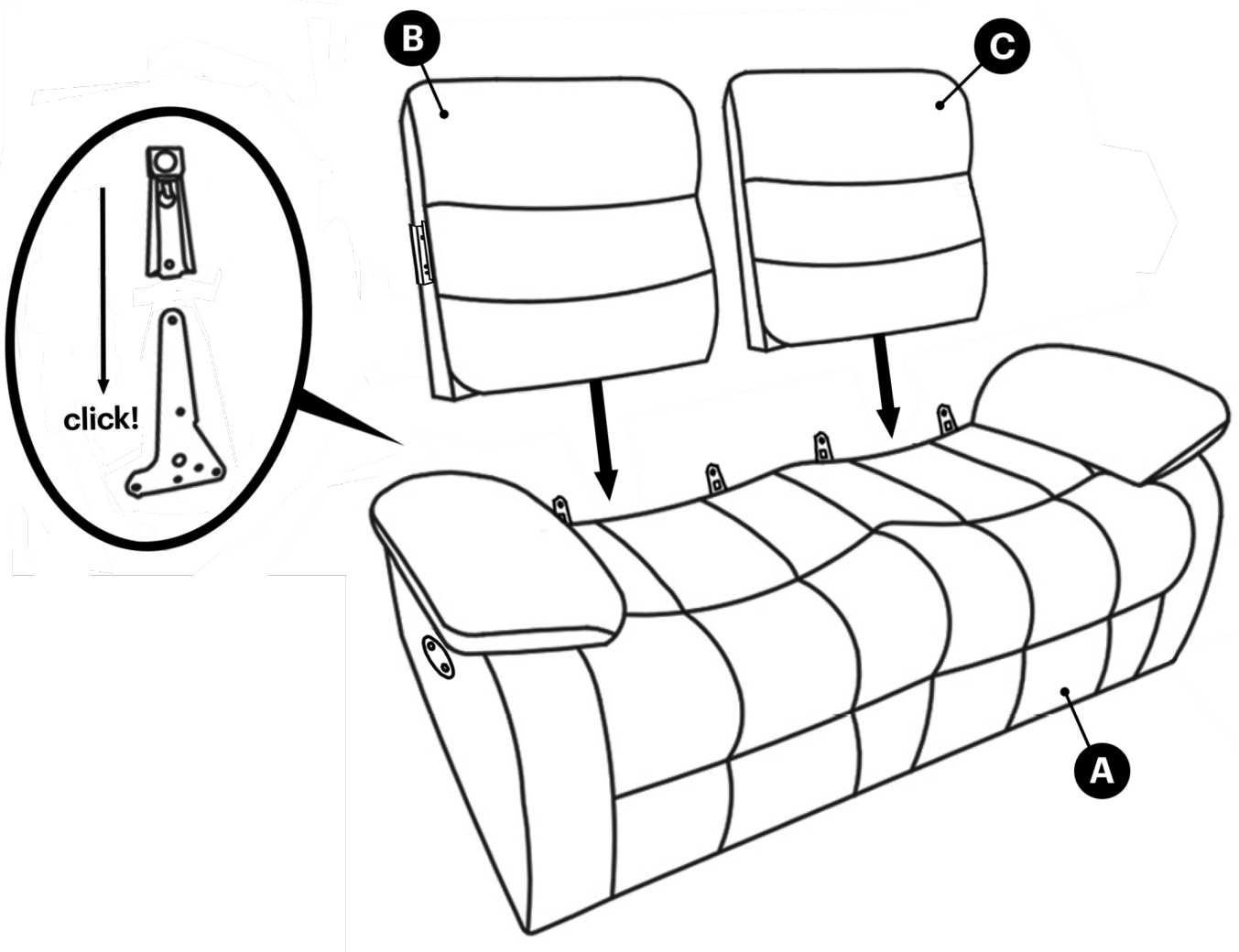




**3** 2 persons required



Make sure the backrests are aligned to the brackets,  
then push down evenly and firmly until they click into place.

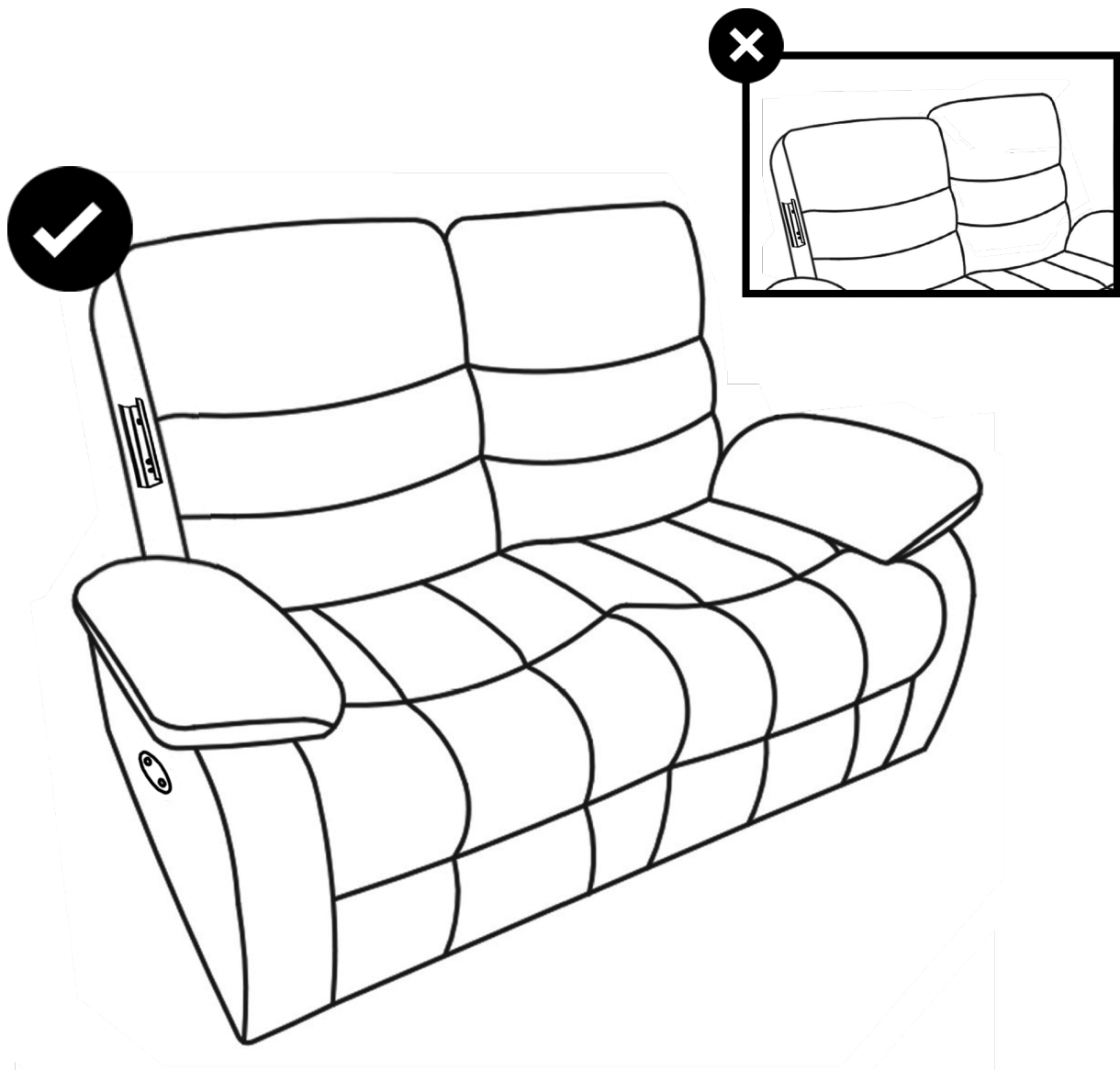




#### **4** Aligning the backrests

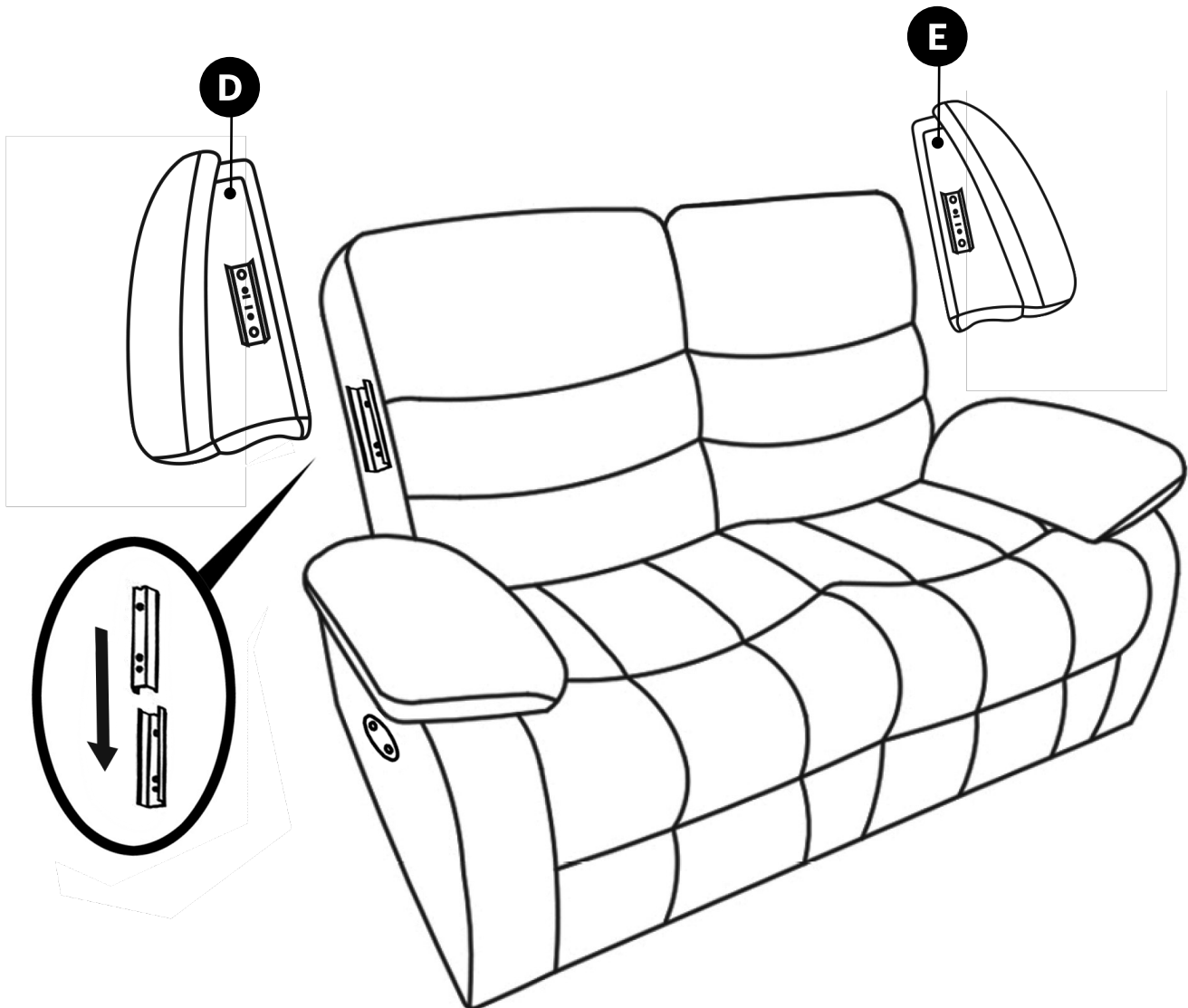
If the backrests are not aligned, check that they have 'clicked' into place. Otherwise, detach the backrests and repeat the process.

Align the cushion stitching by firmly rubbing your hand up and down the backrests.



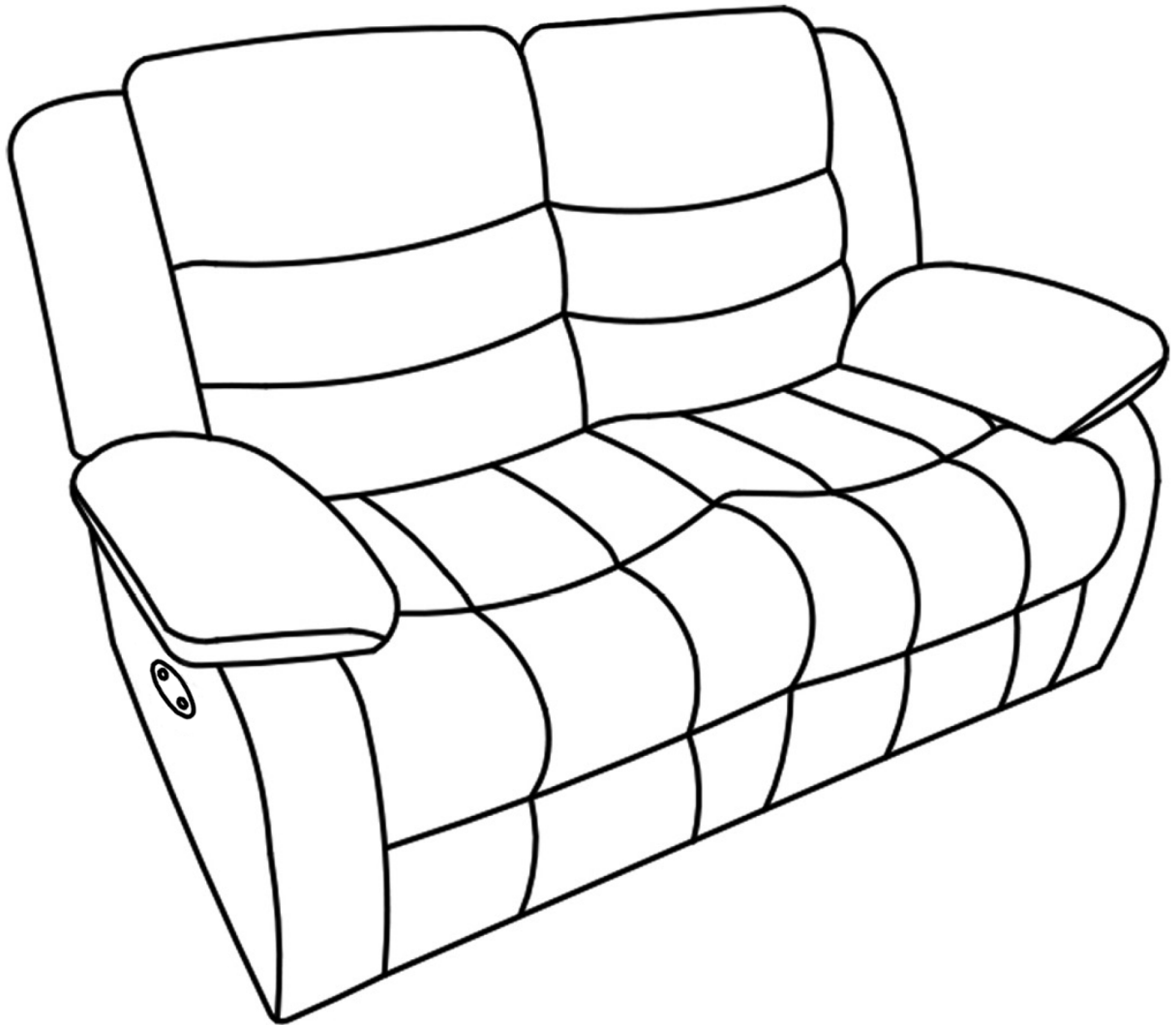


**5** Connect the shoulders by slotting them into the brackets.





**6**

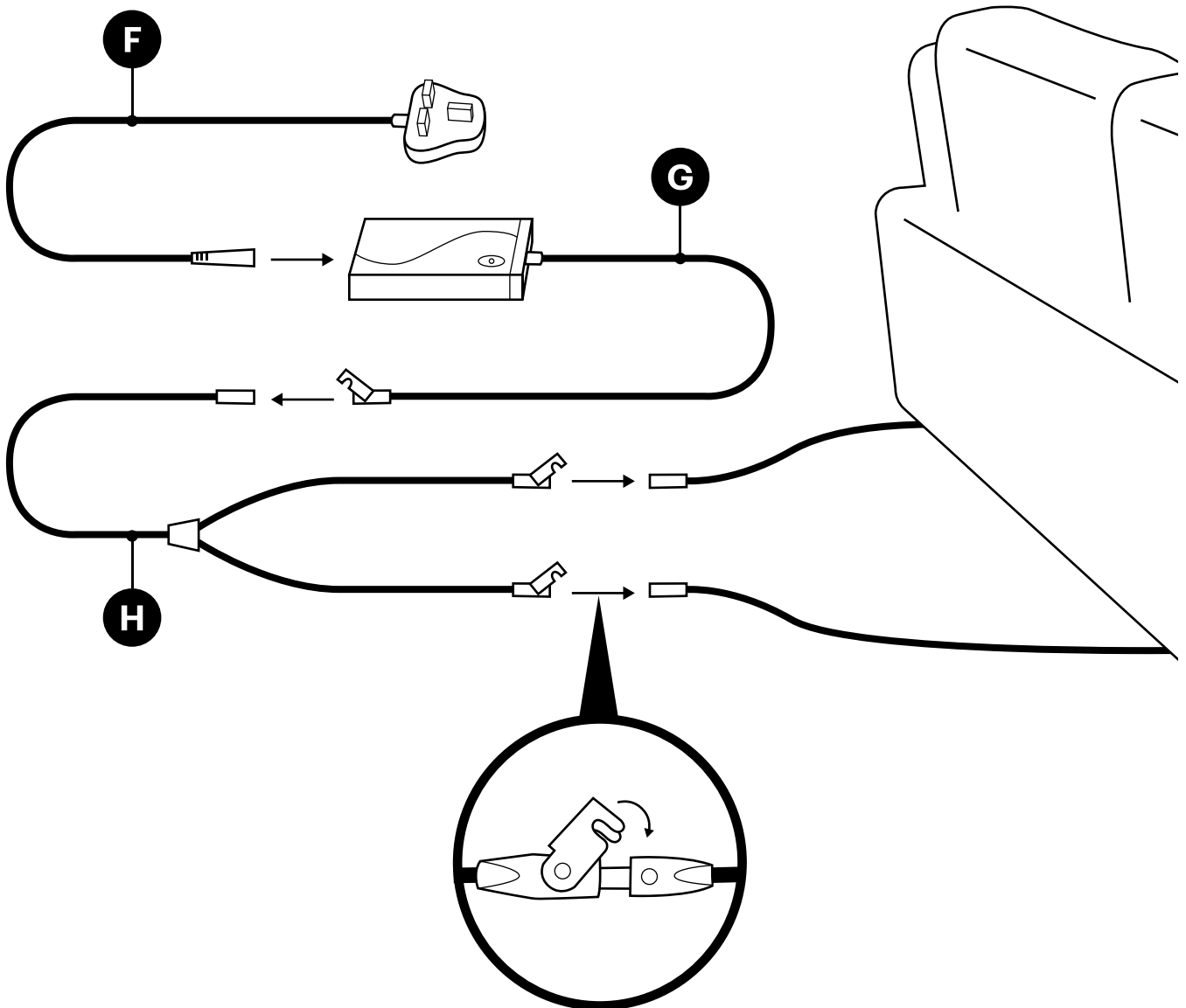






- 7** Find the cables behind the sofa and connect them to the transformer as shown. Latch the safety hooks to secure. Then connect the transformer to the plug.

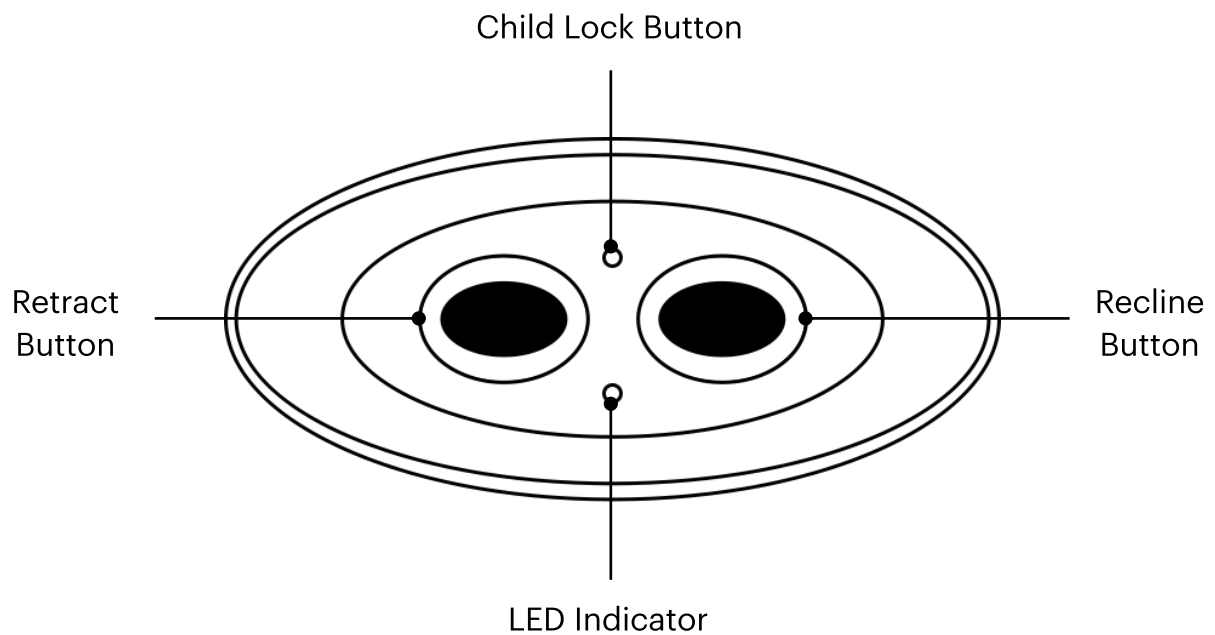
Please read operating instructions and warnings before plugging it in and turning the power on.





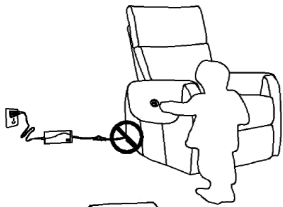
### How to use your electric recliner

1. To recline: Press the recline button to extend the footrest and recline the backrest. Release when your desired position is reached.
2. To retract: Press the retract button until the footrest and backrest return to the closed position.
3. To activate or deactivate the child lock button, press it with a pen nib or a small, sharp point.
  - (a) When the child lock is activated the LED indicator is off.
  - (b) When the child lock is deactivated the LED indicator is green.

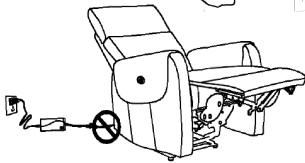




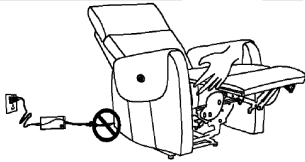
## Warnings



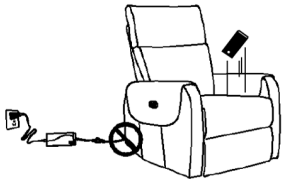
Do not allow children or pets to play on or with the sofa.



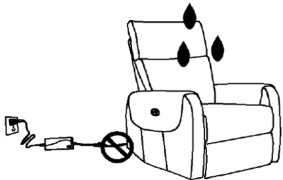
Do not sit on the extended footrest.



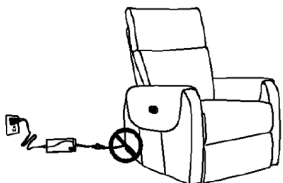
Keep hands and other objects away from the mechanism and openings in the sofa.



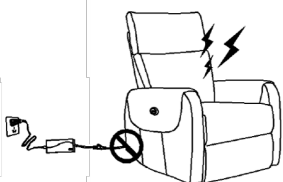
If an item such as a mobile phone slips down the side of the sofa, do not attempt to retrieve until the sofa has been turned off and unplugged.



Only use the electrical parts and cables provided. Avoid liquid contact with any electric components.



Switch off and unplug the sofa when cleaning or during maintenance.



Never operate the sofa if its cord or plug is damaged or malfunctioning. Do not tamper with the electrical components.



## **Troubleshooting instructions for your electric recliner**

### **1. Checking the power supply and cables**

- (a) Ensure the sofa is plugged in and the wall socket is turned on.
- (b) Ensure **ALL** cables are firmly attached.
- (c) Ensure there's a green light on the transformer behind the sofa.
- (d) If you're using a surge protector, check that it hasn't activated and is working.

### **2. Checking the child lock**

- (a) Ensure the child lock button is off, and the LED indicator is green.
- (b) To turn the child lock off, press it with a pen nib or small sharp point.

### **3. Checking the motor**

- (a) If you have checked all of the above, it could be a faulty motor.
- (b) Another sign it could be a faulty motor is if your recliner makes a loud grinding noise while reclining.

In both cases, please contact us.



## — About the Sorrento 2 Seater Electric Recliner Sofa

### **Upholstery and appearance**

- Every effort has been made to ensure each piece of furniture matches
- Upholstery can have a pile in the weave and look different from various angles and lighting – this is a characteristic of the material and not a fault
- Upholstery can have slight variations in colour and finish
- Creasing in seats and back cushions may appear over time and is a natural characteristic of the material

### **Caring for your furniture**

- This sofa is for indoor, residential use only
- Position the sofa away from heat and sunlight which can cause colour fading and surface degradation
- Avoid strong sunlight as chrome finishes can magnify the heat of the sun
- Avoid sitting on the edge of the cushions as this can cause distortion or permanent wear
- Do not sit on the arms
- Avoid sharp objects such as studs, buckles, jewellery, heels, toys or a pet's claws on the upholstery as this can cause damage
- Greasy and oily hair products can damage upholstery
- Avoid placing hot cups or plates directly onto the furniture as this can damage the upholstery
- Remove spills immediately – do not rub stains and spills, blot them first

### **Cleaning your furniture**

- Dust and vacuum your chair on a weekly basis with the appropriate upholstery attachment
- Use a clean, soft, lint-free cloth slightly dampened with water to remove dirt or body oils
- For tougher stains, use a soft cloth with a little non-alkaline, non-detergent soap
- Do not use bleaches or household cleaning products which can damage the dyes and surface of the upholstery

For more information and support, visit [help.furniturechoice.co.uk](http://help.furniturechoice.co.uk)