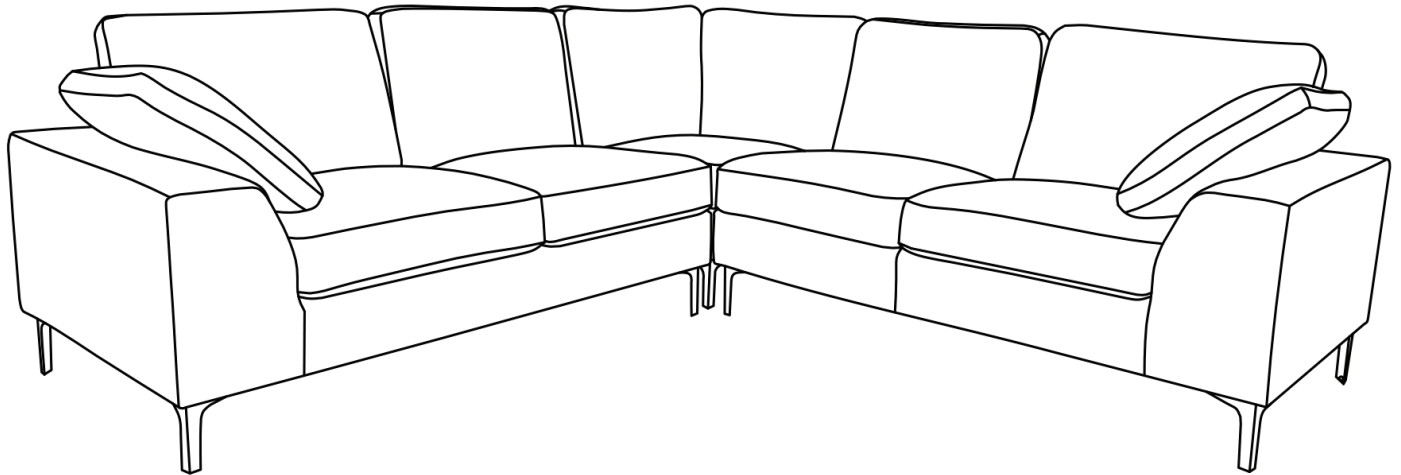


— Thank you for buying the Valencia Corner Sofa



Before you start:

Unpack carefully

- Avoid using sharp objects that might cause damage
- Be careful not to dispose of the included fixing kit
- Please dispose of the packaging responsibly
- Carefully trim off any loose threads on the sofa

Before and during assembly

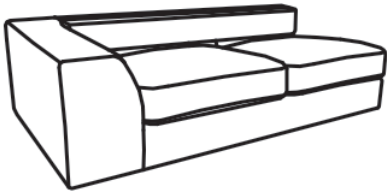
- This sofa requires 2 people to assemble
- Make sure all items are accounted for and clearly laid out before starting
- Make sure you have enough space to assemble the sofa safely
- Assemble the sofa where it will be placed to avoid moving unnecessarily
- Place the parts on a soft and flat surface to avoid damage
- Make sure backrests are slotted in evenly and not at an angle
- Do not use power tools or overtighten any fittings as this can cause damage
- If the upholstery is creased, plump the cushions and allow the sofa to settle at room temperature

Caution

- Do not stand or jump on the sofa
- Keep small parts, plastic bags and film away from children

— In the box

A x1



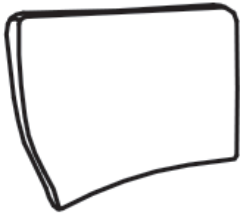
B x1



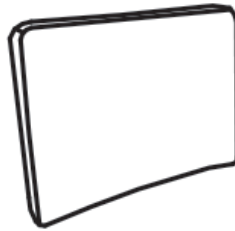
C x1



D x1



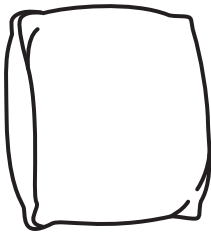
E x2



F x1



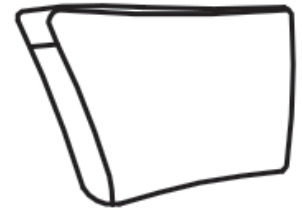
G x2



H x1



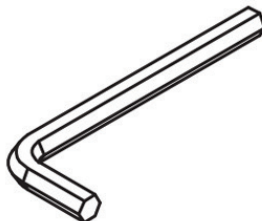
I x1



J x12



K x3

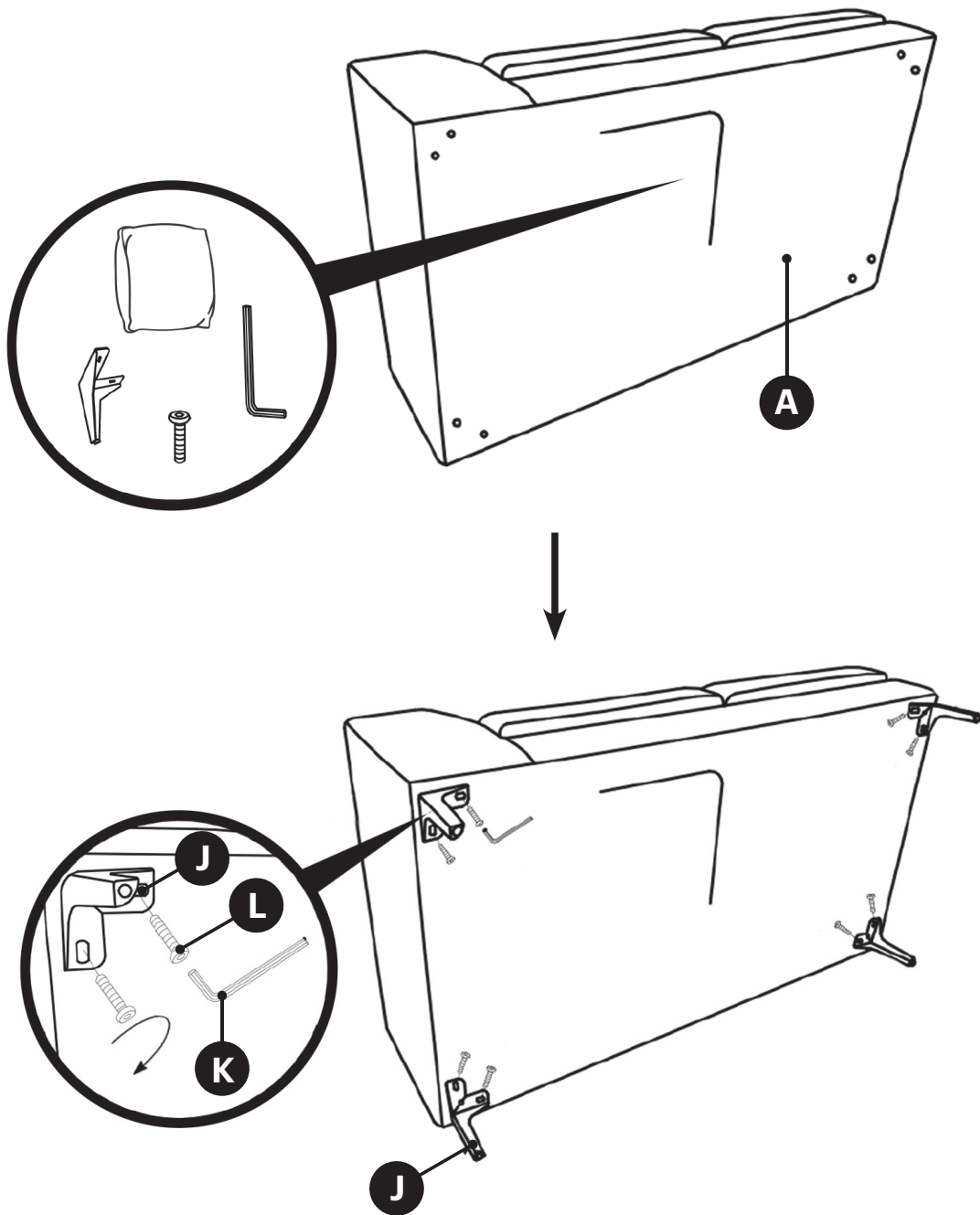


L x27 (3 extra)



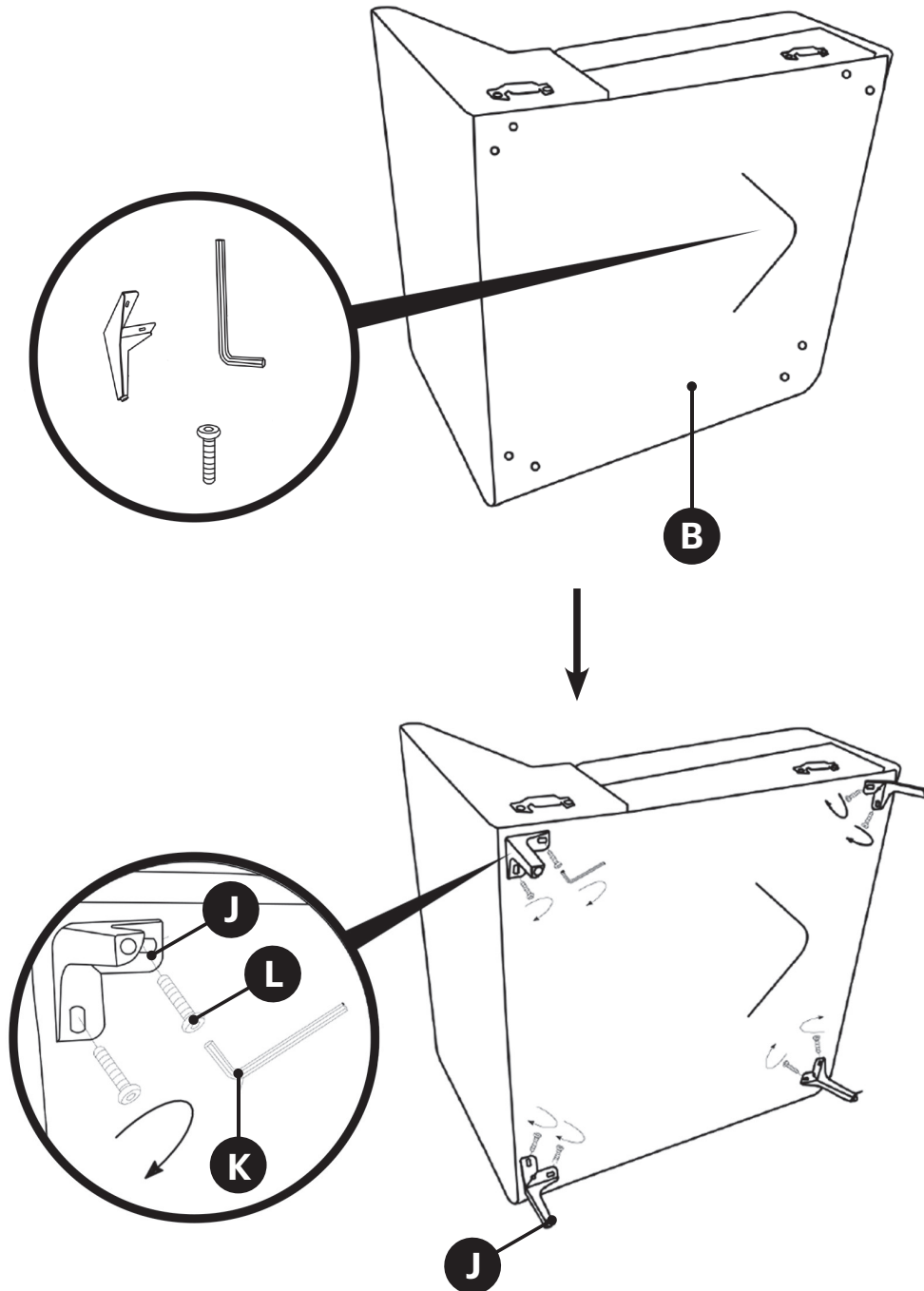
1 Right sofa seat

Find the accessories in the zipped pocket underneath the sofa. Attach the feet using the bolts as shown, then tighten with the Allen key.



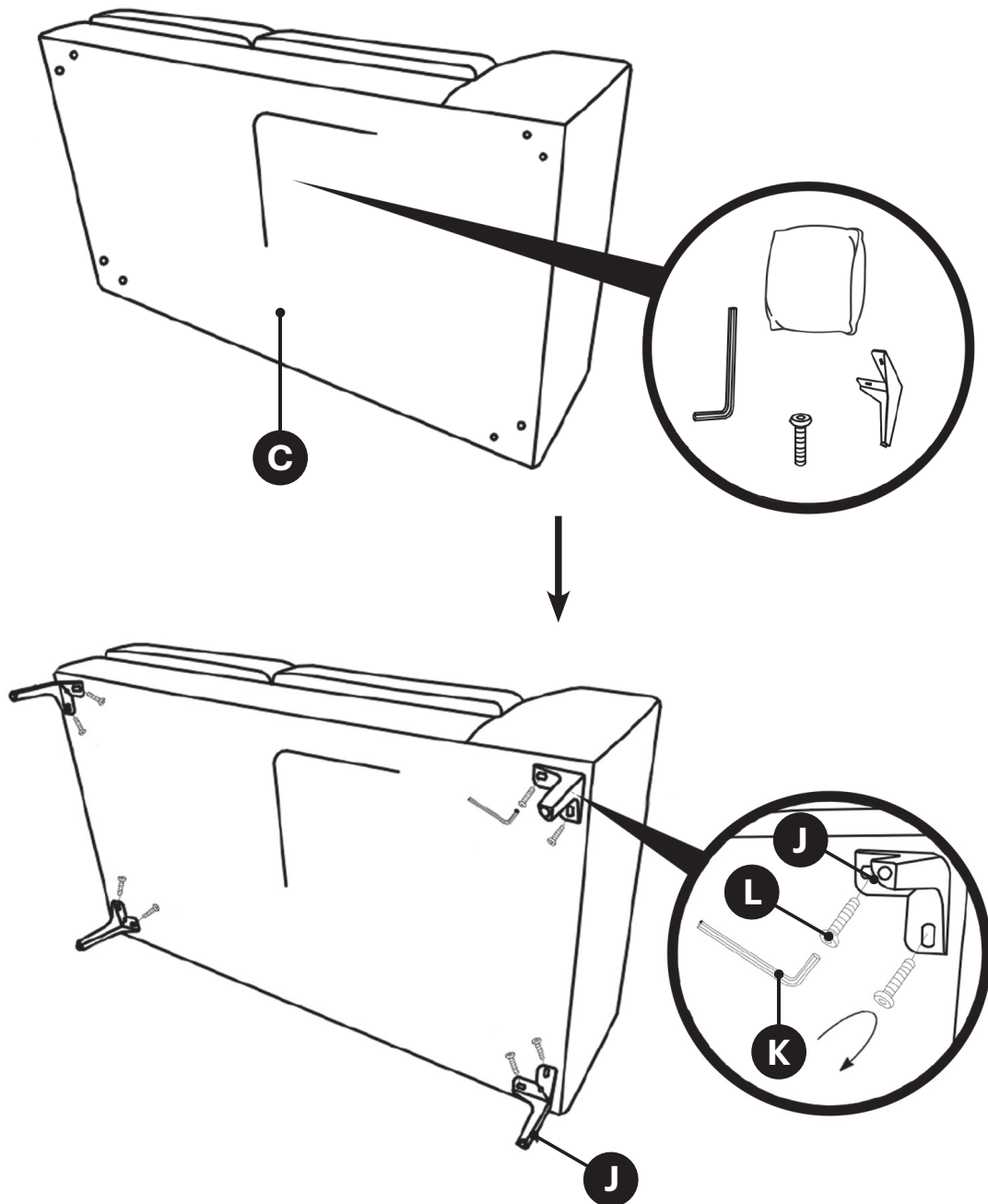
2 Centre wedge seat

Attach the feet using the bolts as shown, then tighten with the Allen key.

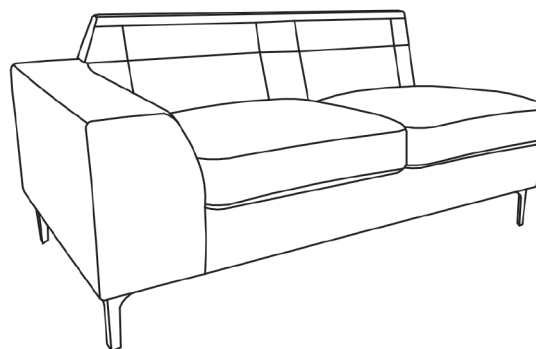
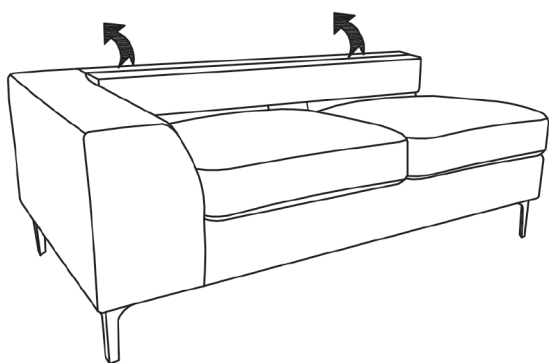
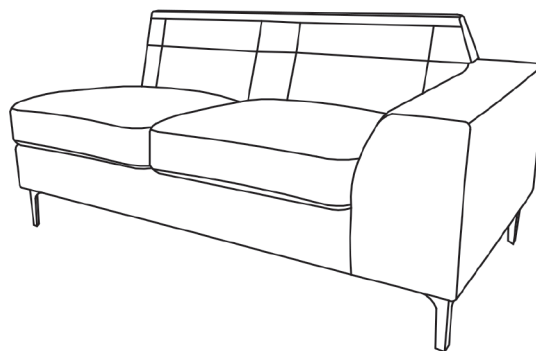
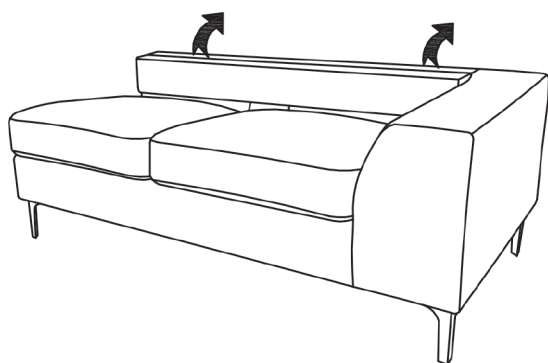


3 Left sofa seat

Attach the feet using the bolts as shown, then tighten with the Allen key.



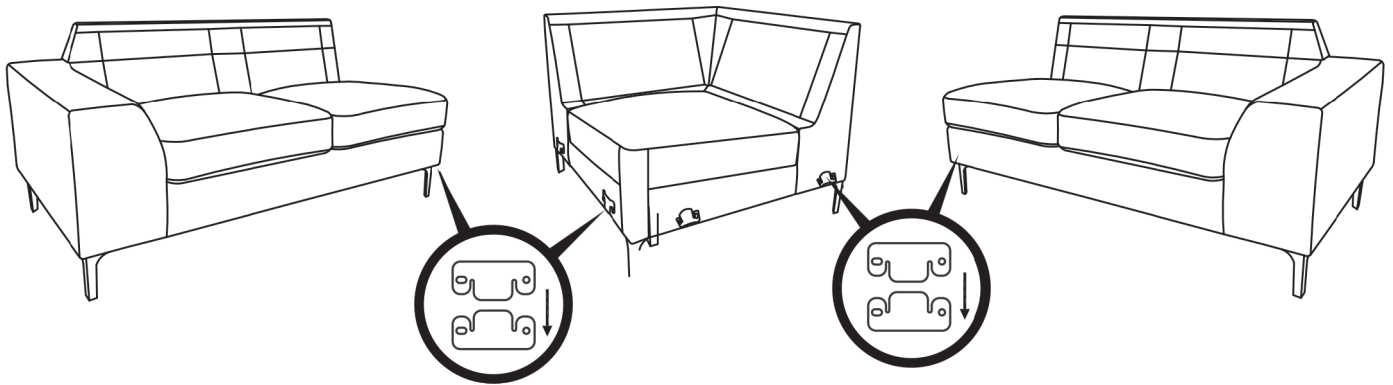
4 Flip up the top of the backrest on the left and right sofa seats.



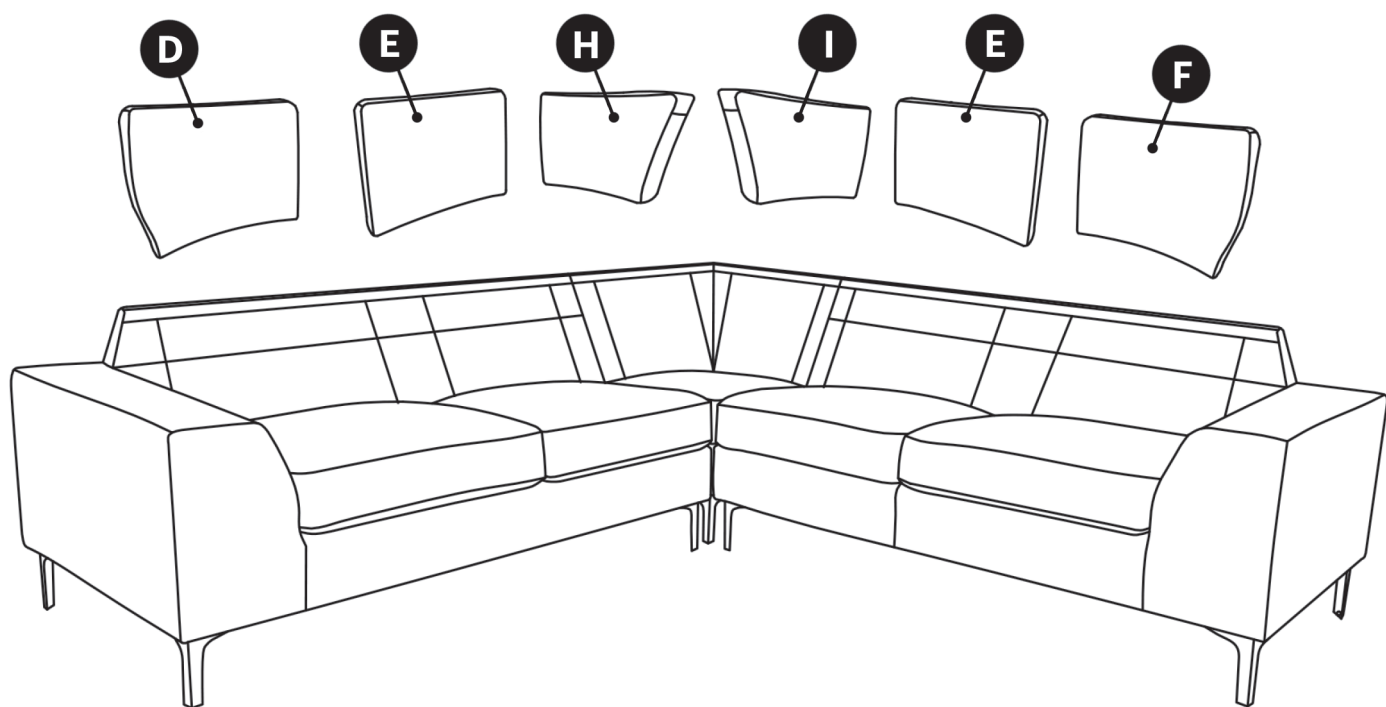
5 2 persons required



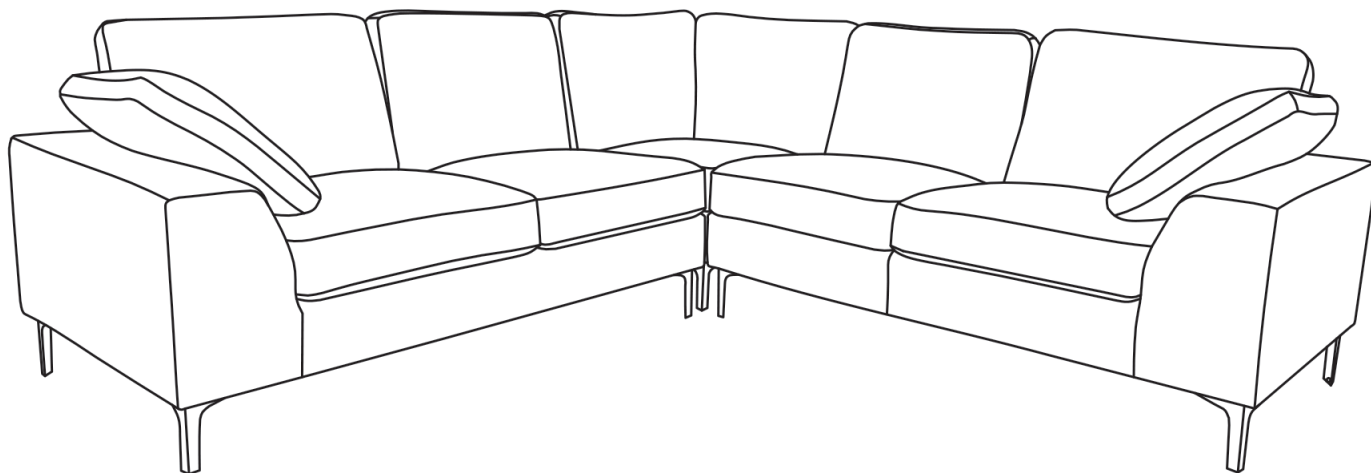
Join the right, centre wedge and left sofa seats by slotting them together.



6 Place the cushions on the backrest.



7



— About the Valencia Corner Sofa

Upholstery and appearance

- Every effort has been made to ensure every piece of furniture matches
- Fabric can have a pile in the weave and look different from various angles and lighting – this is a characteristic of the material and not a fault
- Leather can have slight variations in colour and finish
- Creasing in seats and back cushions may appear over time and is a natural characteristic of the material

Caring for your furniture

- This sofa is for indoor, residential use only
- Position the sofa away from heat and sunlight which can cause colour fading and surface degradation
- Avoid sitting on the edge of the cushions as this can cause distortion or permanent wear
- Do not sit on the arms
- Avoid sharp objects such as studs, buckles, jewellery, heels, toys or a pet's claws on the upholstery as this can cause damage
- Greasy and oily hair products can damage upholstery
- Avoid placing hot cups or plates directly onto the furniture as this can damage the upholstery
- Remove spills immediately – do not rub stains and spills, blot them first

Cleaning your furniture

- Dust and vacuum your sofa on a weekly basis with the appropriate upholstery attachment
- Use a clean, soft, lint-free cloth slightly dampened with water to remove dirt or body oils
- For tougher stains, use a soft cloth with a little non-alkaline, non-detergent soap
- Do not use bleaches or household cleaning products which can damage the dyes and surface of the upholstery

Safety notes for recliners

- Ensure the footrest is returned correctly and the mechanism clicks back into place
- Do not put fingers down the side of the mechanism
- Do not sit on the footrest