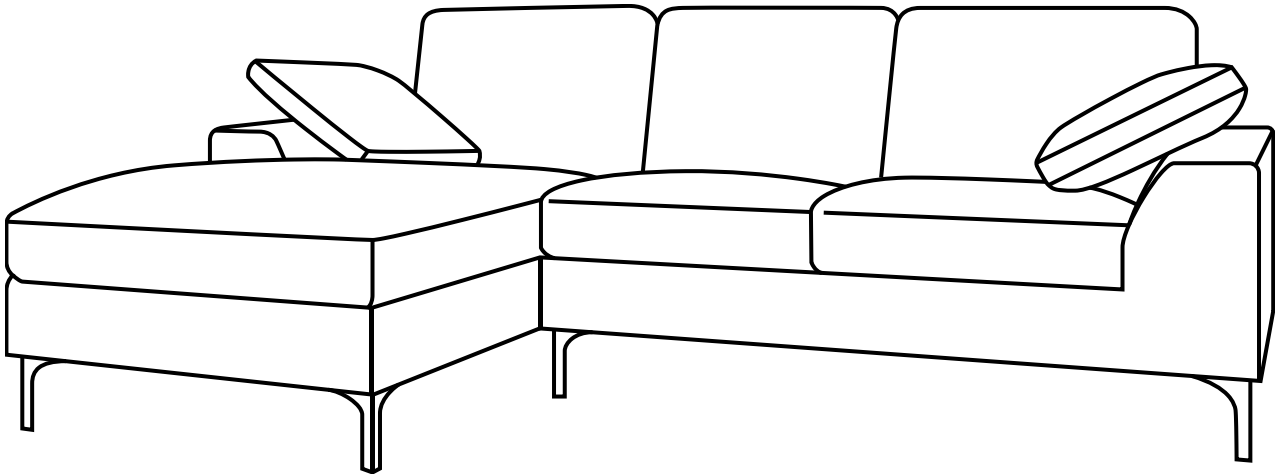




— Thank you for buying the Valencia L Shape Corner Sofa - LHF

**Before you start:****Unpack carefully**

- Take care when unpacking and assembling your sofa as damaged or scratched items cannot be returned
- Do not use sharp objects
- Be careful not to dispose of the enclosed assembly kit
- Please retain all packaging until you are 100% happy with your sofa

**Before and during assembly**

- This sofa requires 2 people to assemble
- Make sure all items are accounted for and clearly laid out before starting
- Make sure you have enough space to assemble the sofa safely
- Assemble the sofa where it will be placed to avoid moving unnecessarily
- Place all parts on a soft and flat surface to avoid damage
- Make sure backrests are slotted in evenly and not at an angle
- Do not use power tools or overtighten any fittings as this can cause damage
- If the upholstery is creased, plump the cushions and allow the sofa to settle at room temperature
- Carefully trim off any loose threads

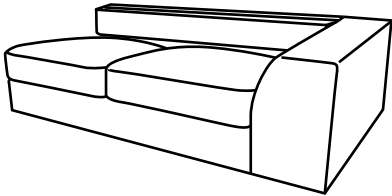
**Caution**

- Keep small parts, plastic bags and film away from children



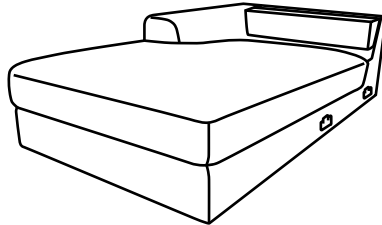
— In the box

**A** x 1



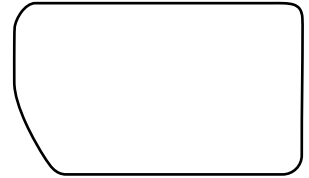
Sofa Seat

**B** x 1



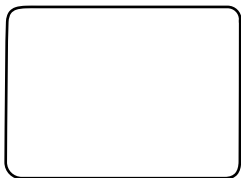
Chaise

**C** x 1



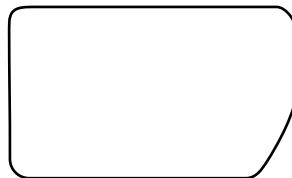
Left Back Cushion

**D** x 1



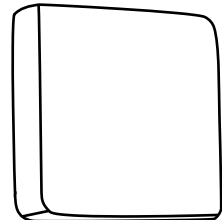
Centre Back Cushion

**E** x 1



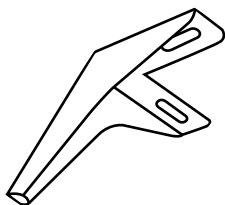
Right Back Cushion

**F** x 2



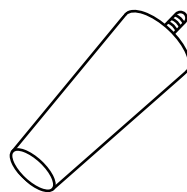
Pillow

**G** x 8



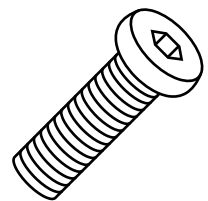
Foot

**H** x 1



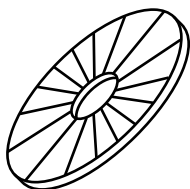
Support Leg

**I** x 18 (2 extra)



Bolt M8x25mm

**J** x 1



Plastic Washer 45mm

**K** x 2

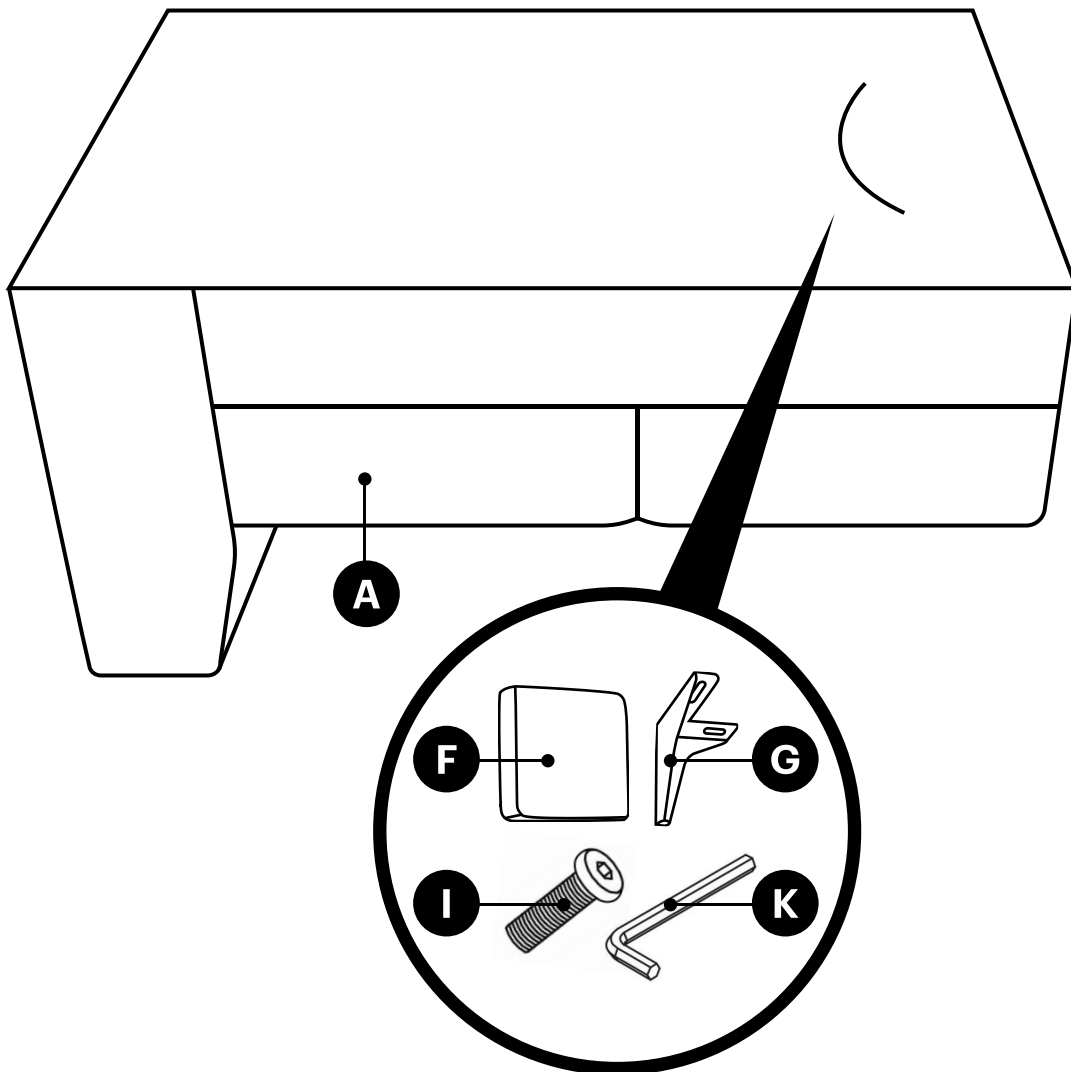


Allen Key 6mm



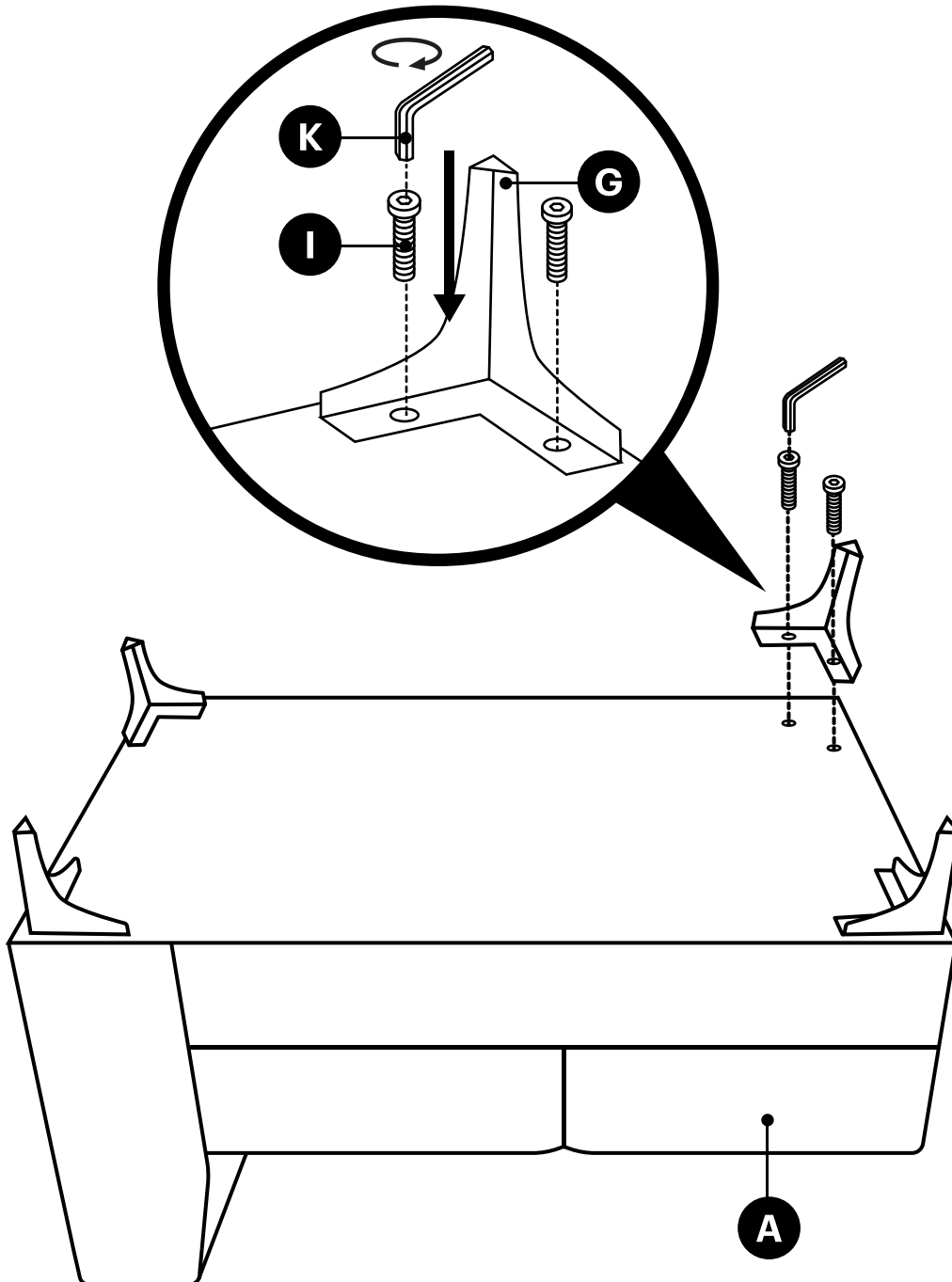
**1 Sofa seat**

Find the feet, accessories and pillows in the zipped pockets underneath the sofa.



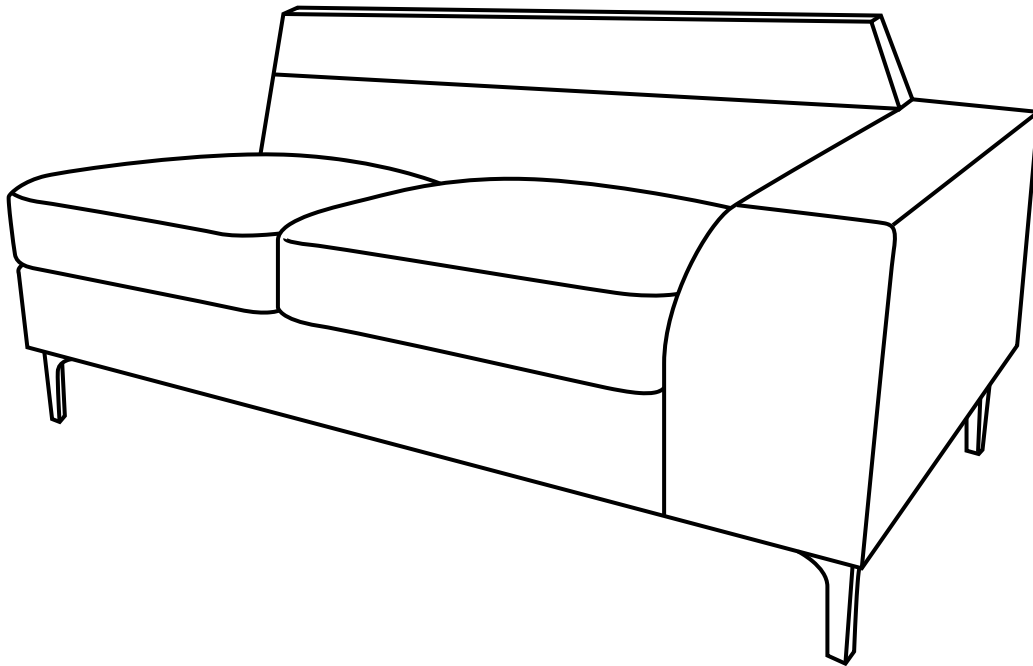
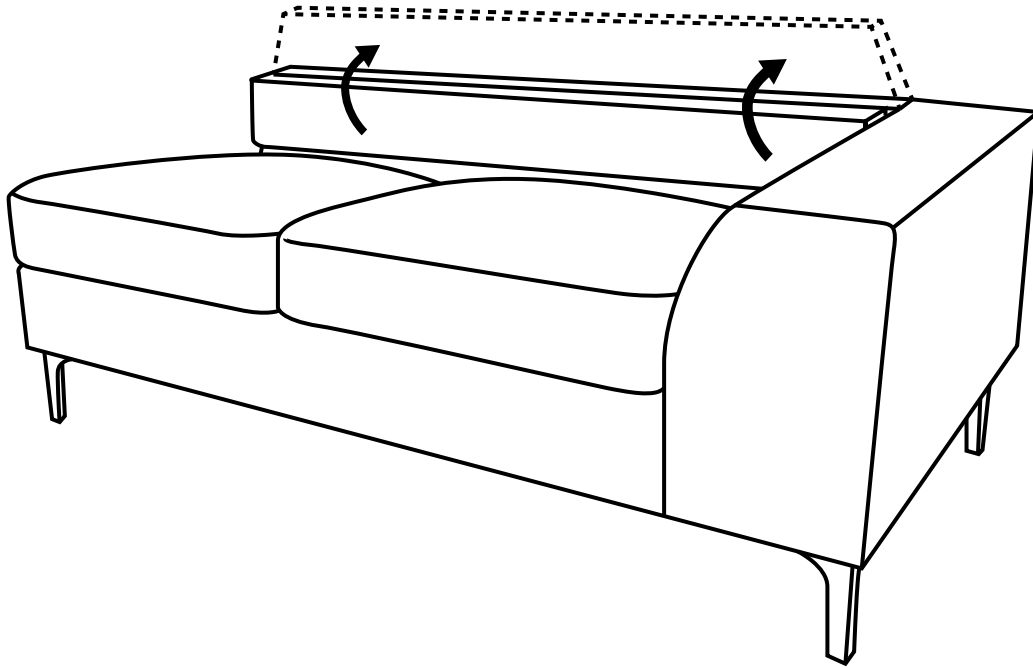


**2** Attach the feet to the sofa as shown.





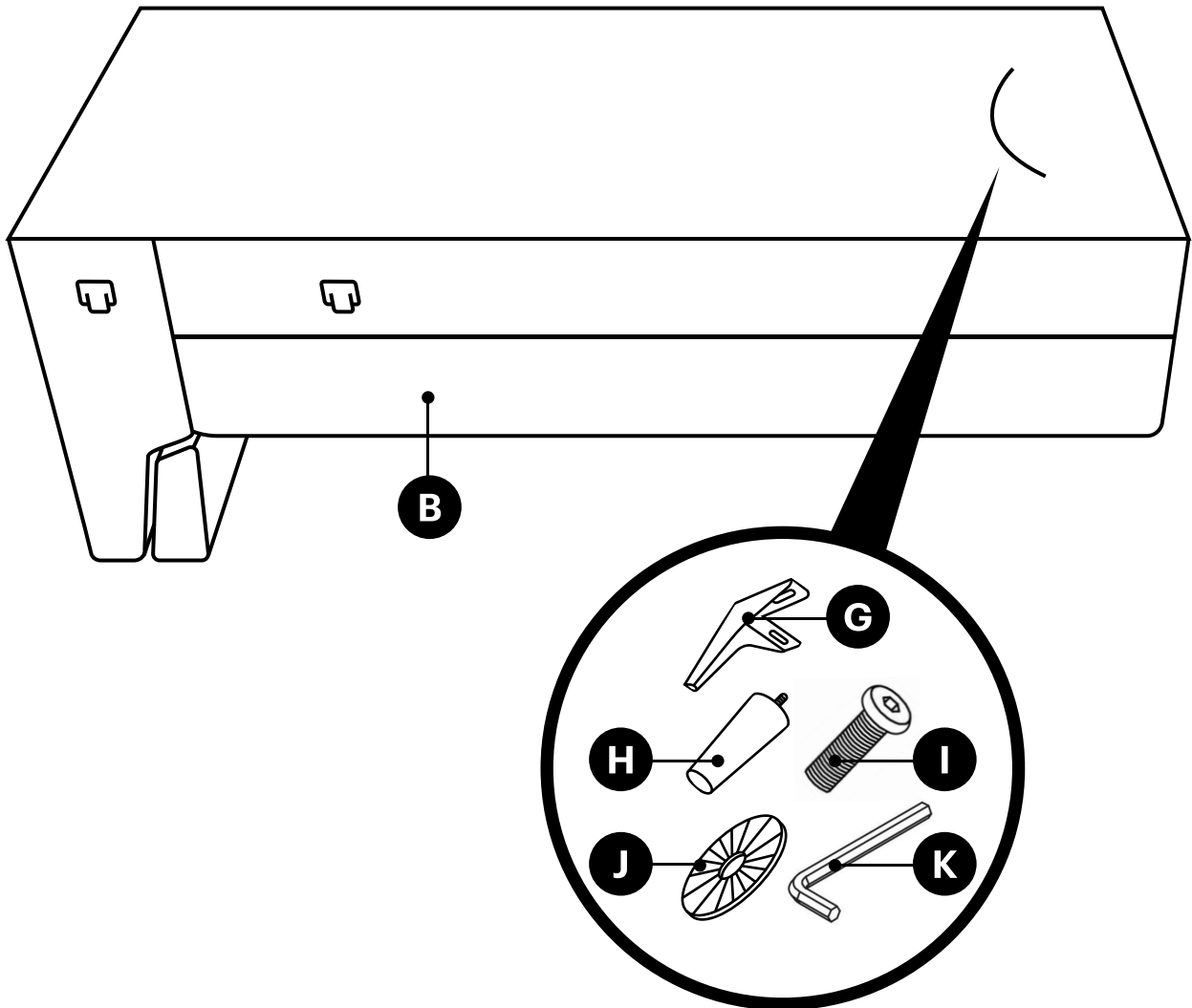
**3** Flip up the top of the backrest.





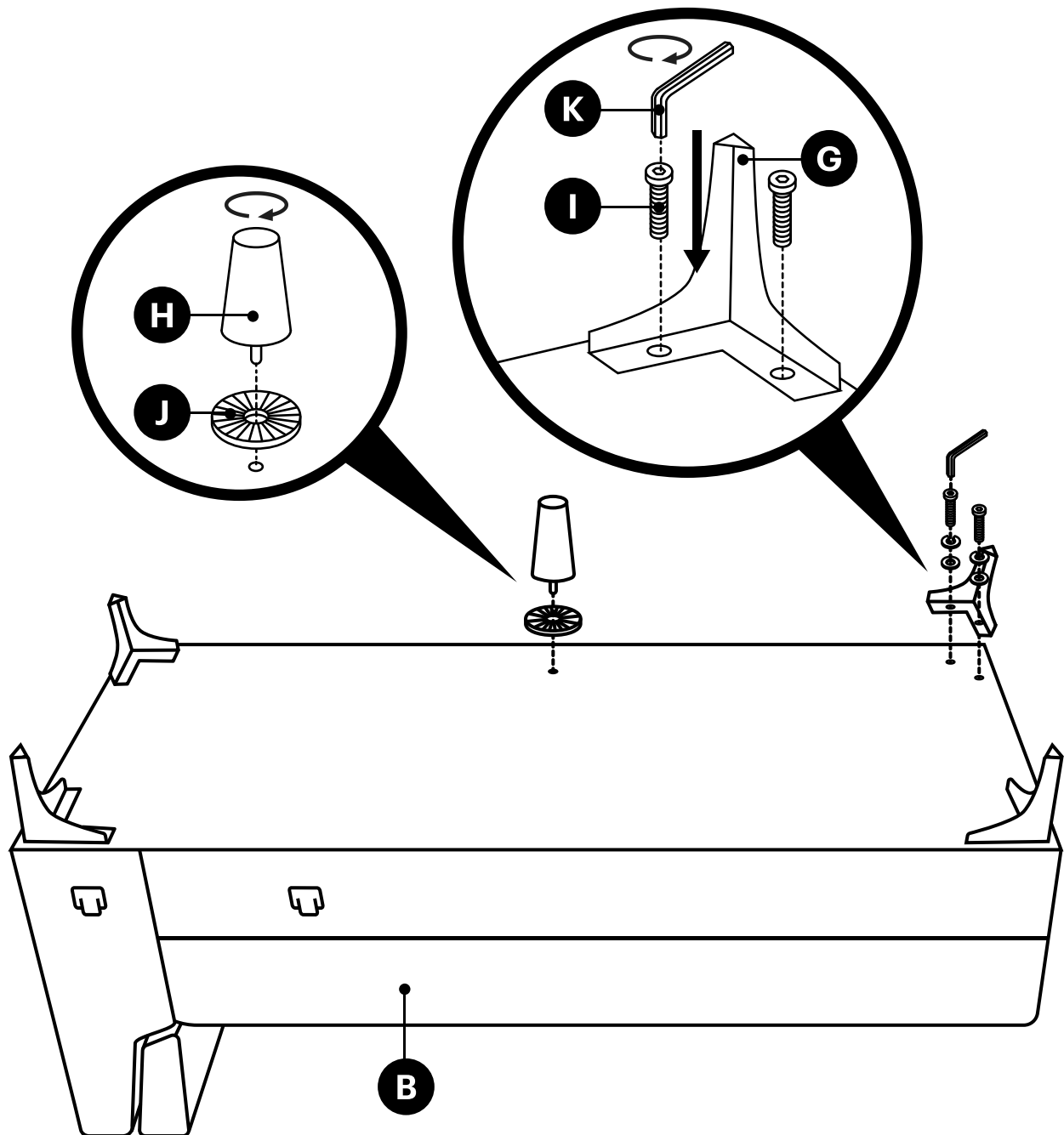
#### **4 Chaise**

Find the feet, support leg and accessories in the zipped pockets underneath the chaise.



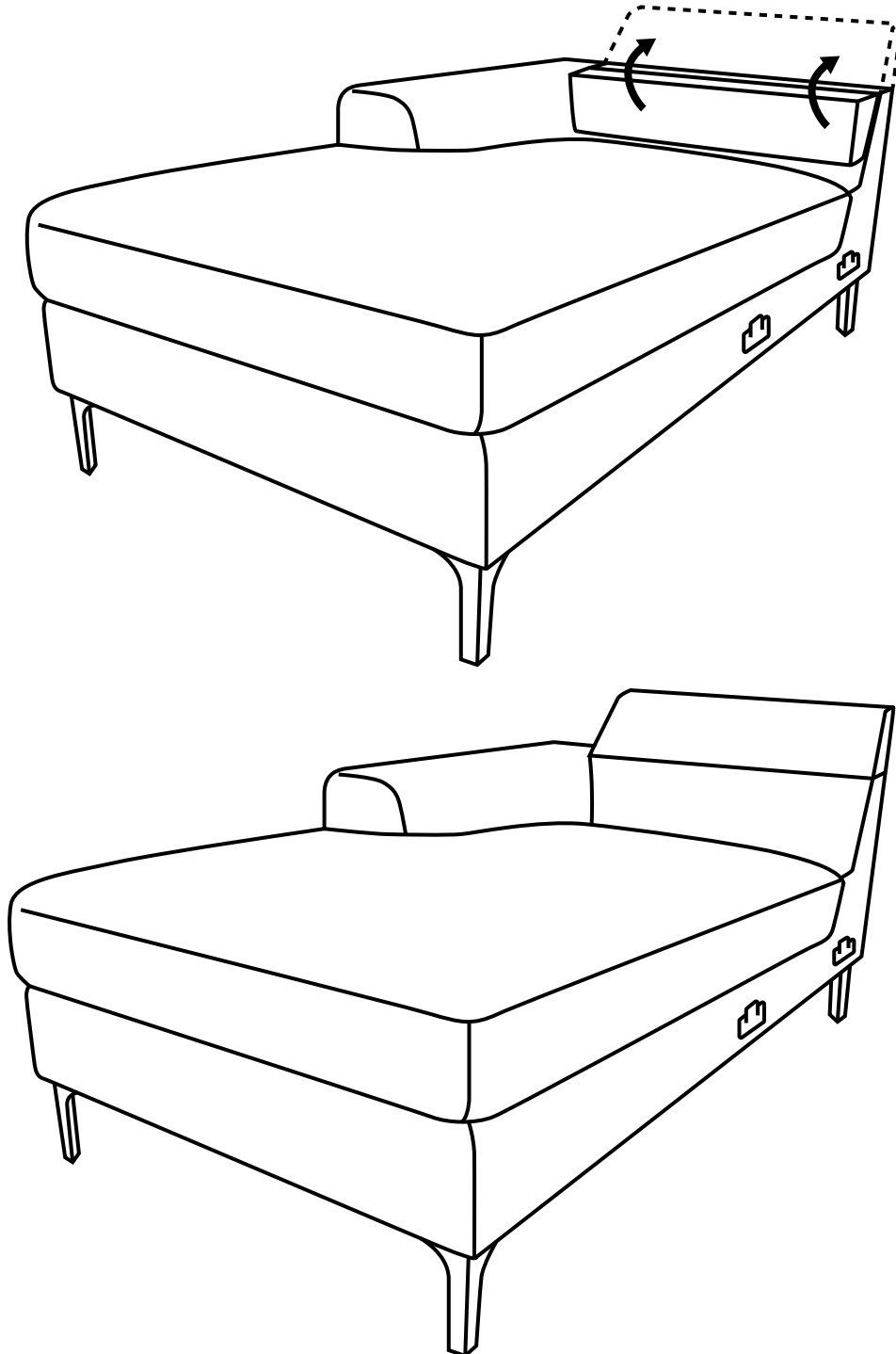


**5** Attach the feet and support leg to the chaise as shown.





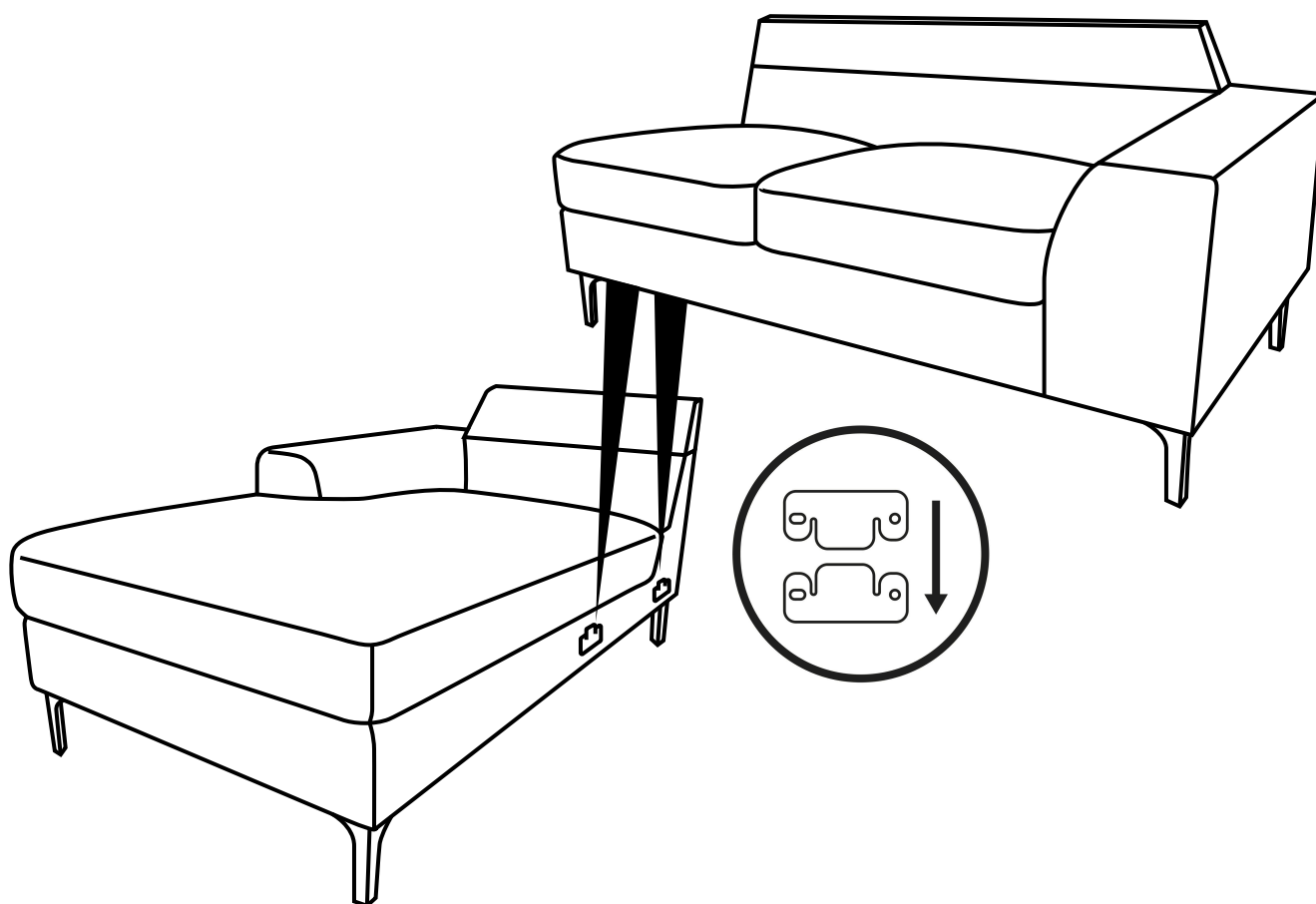
**6** Flip up the top of the backrest.





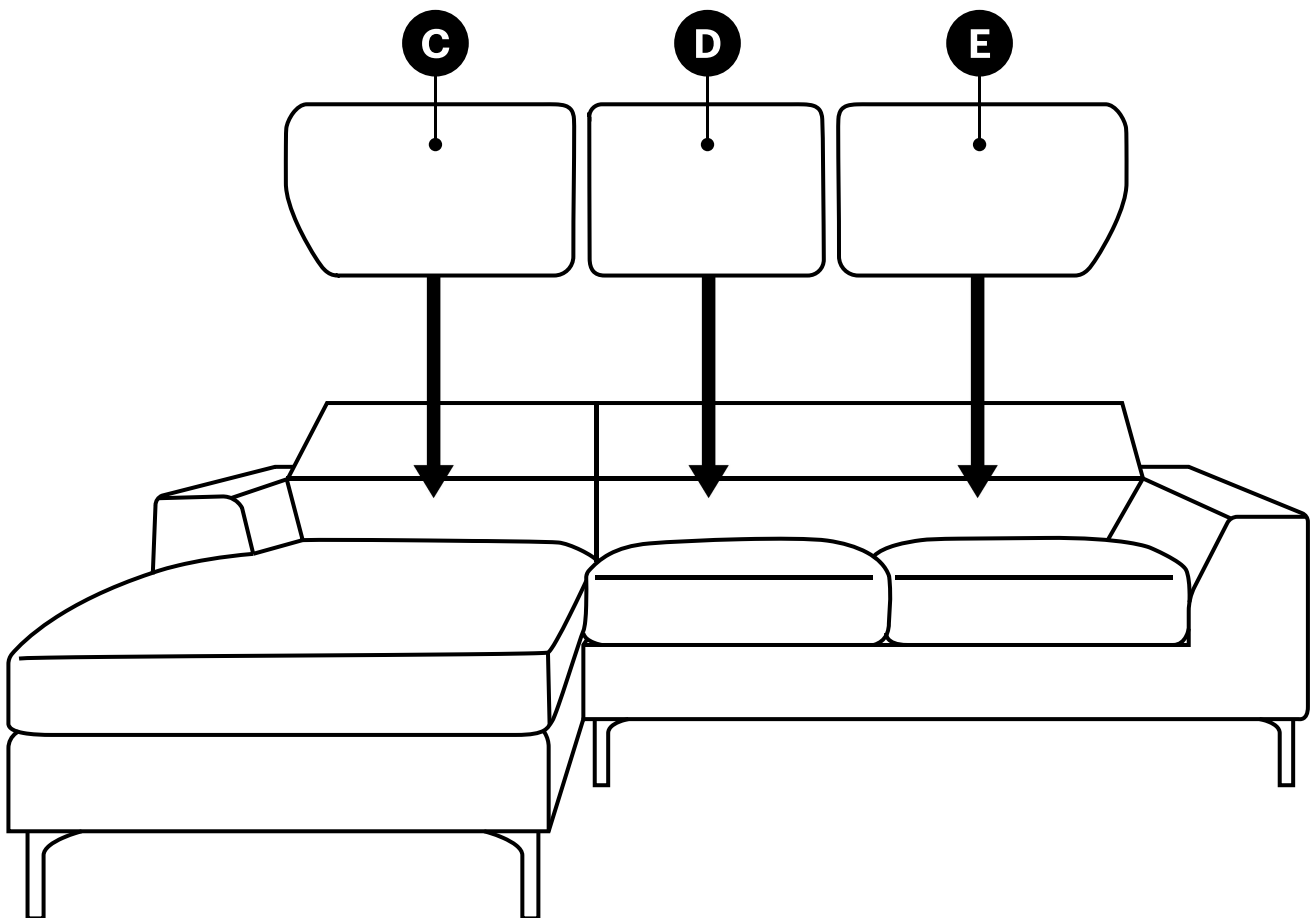


**7** Join the the chaise to the sofa seat.



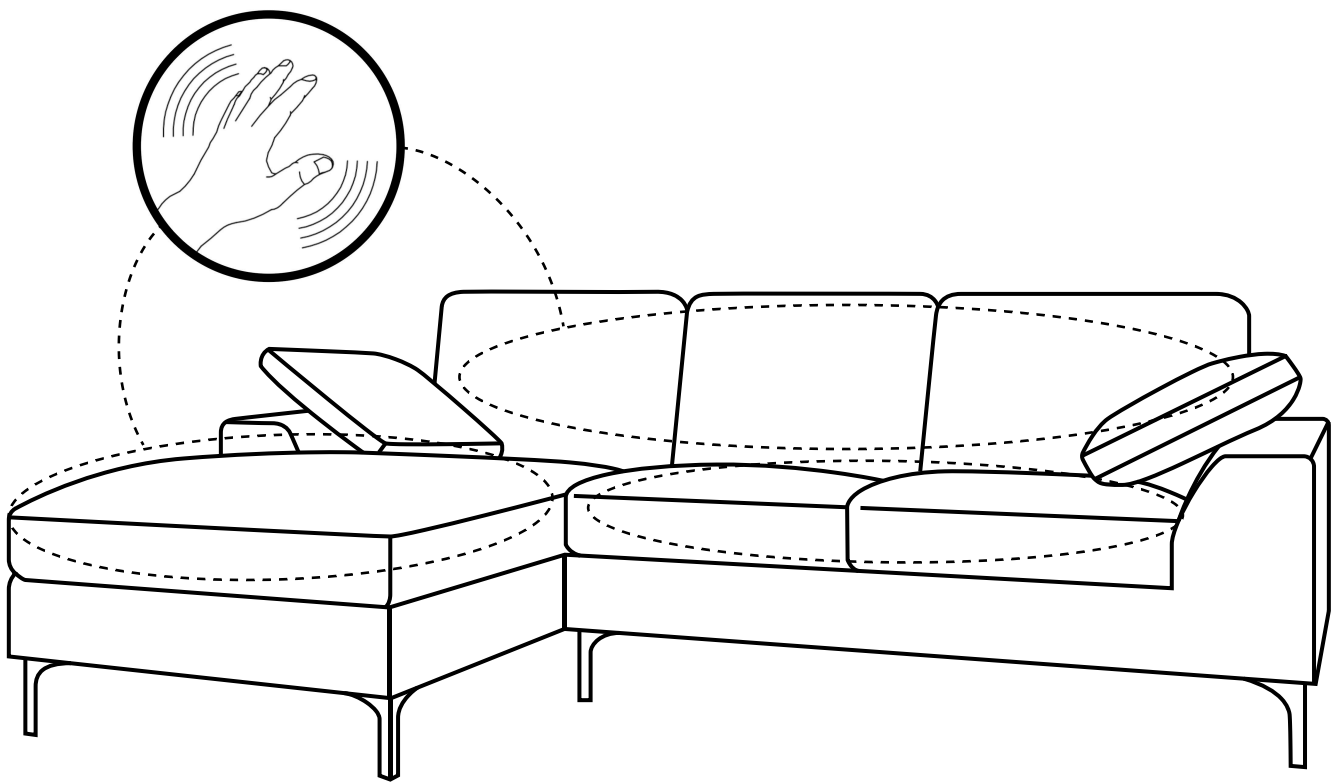


**8** Place the back cushions in position.



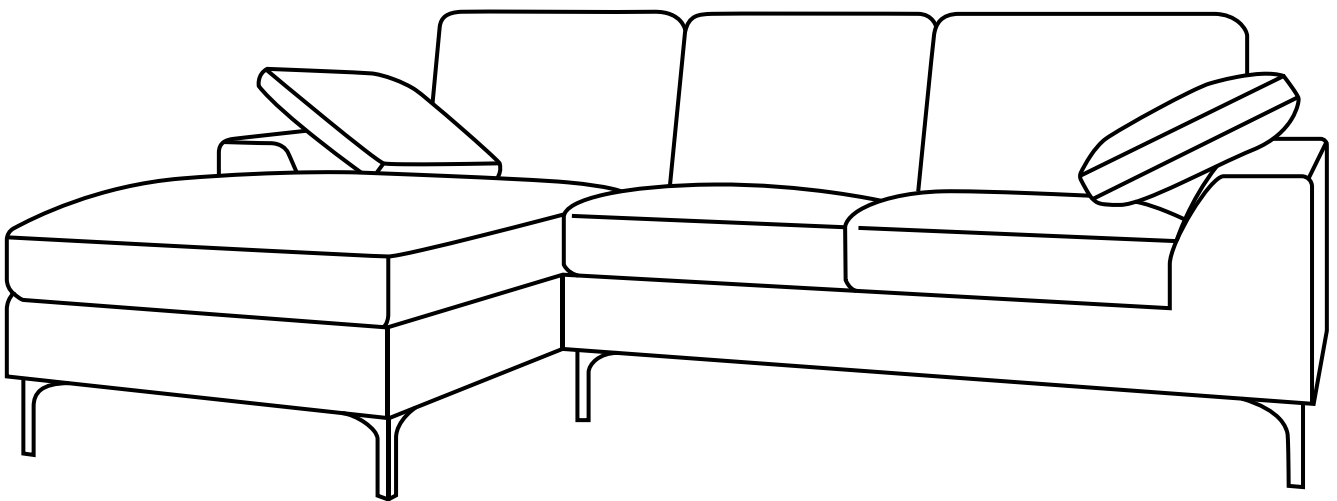


- 9** Pat and plump the surfaces to reshape and align the cushions as necessary.





**10**





— **Important information - please read before use**



**Upholstery and appearance**

- Every effort has been made to ensure each piece of furniture matches
- The materials used may have variation in colour and grain – this is a natural characteristic of the material and not a fault
- If the upholstery is creased on delivery, allow it to settle at room temperature
- Creasing in seats and back cushions may appear over time – this is a natural characteristic of the material and not a fault
- Upholstery can have a pile in the weave and look different from various angles and lighting – this is a natural characteristic of the material and not a fault

**Cleaning your furniture**

- Do not use household cleaning products, bleaches, solvent based cleaners, detergents, corrosives, scourers or abrasives, which can damage surfaces and upholstery
- Dust and vacuum your furniture on a weekly basis with the appropriate upholstery attachment
- Use a clean, soft, lint-free cloth slightly dampened with water to remove dirt or body oils
- For tougher stains, use a soft cloth with a little non-alkaline, non-detergent soap

**Caring for your furniture**

- Remove spills immediately – do not rub stains and spills, blot them first
- Avoid placing damp clothing, wet towels or printed newspapers directly on the upholstery
- Avoid placing hot cups or plates directly onto the furniture as this can damage the upholstery
- Avoid strong sunlight (such as through patio doors and windows), as this can cause discolouration, fading or surface degradation over time
- Avoid strong sunlight on chrome finishes as this can magnify the heat of the sun
- Avoid sitting on the edge of the cushions as this can cause distortion or permanent wear
- Do not sit on the arms
- Avoid sharp objects such as studs, buckles, jewellery, heels, toys or a pet's claws on the upholstery as this can cause damage
- Greasy and oily hair products can damage upholstery
- Light-coloured upholstery can be at risk of discolouration due to dye transfer from dark or strong-coloured clothing, cushions and throws

**Safety notes for recliners**

- Ensure the footrest is returned correctly and the mechanism clicks back into place
- Do not put fingers down the side of the mechanism
- Do not sit on the footrest

**To avoid structural damage**

- Do not stand or jump on the sofa
- Do not sit on the arms
- Do not drag the sofa when moving, instead lift and place carefully

This sofa is for indoor, residential use only.

For more information and support, visit [help.furniturechoice.co.uk](http://help.furniturechoice.co.uk)